

PRODUCT DATA SHEET

Part number 612306

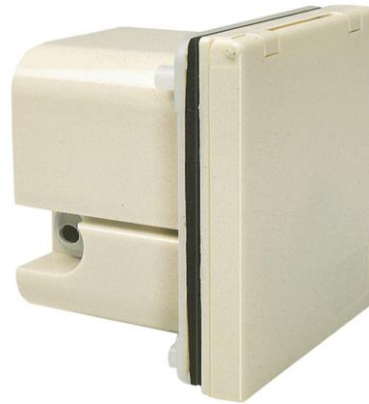
EAN 4015609023530

Manufacturer WALTHER-WERKE

WEEE-Reg.-Number: DE 22131895

Product description

Caravan appliance inlet 16A 3P 6h with mounting frame in white



Product image

Detailed product description

WALTHER Caravan appliance inlet 16A 3P 230V 6h IP44
 made from PA6 material
 in white
 with mounting frame (and drilling template)
 and one top cable entry
 for external fixing
 flange 120x98
 fixing center 99x85

Ordering Information

Order unit	Piece
Customs number	85366990
Net weight	0,2442 kg
Packing quantity (VPE)	1
Length of the packaging	0,118 m
Width of the packaging	0,105 m
Depth of the packaging	0,085 m
Gross weight(VPE)	0,2822 kg

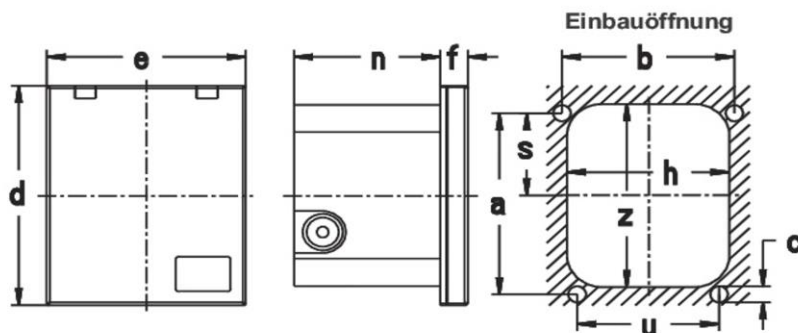
Classification system

Classification system	ETIM_6.0
ETIM Class	EC001319

Technical product data

IEC-amperage	16 A
Amperage acc. UL/CSA (for UL-version)	20 A
Number of poles	3
Voltage acc. EN 60309-2	230 V (50+60 Hz) blue
Clock hour position	6 h
Identification colour	Blue
RAL-number	5002
Degree of protection (IP)	IP44
Connection system	Screwed terminal
Connection type	Built-up device plug
Angle of plug	Straight
Material	Plastic

Dimension sheet



Amp.	16
Pole	3
a	99
b	85
c	4,4
d	120
e	98
f	15
h	80
n	72
p	8/13
r	17
s	45
u	70
z	100