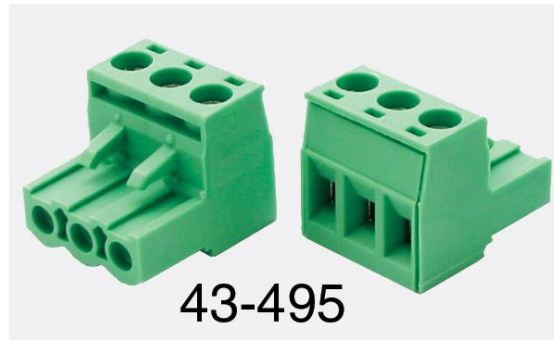
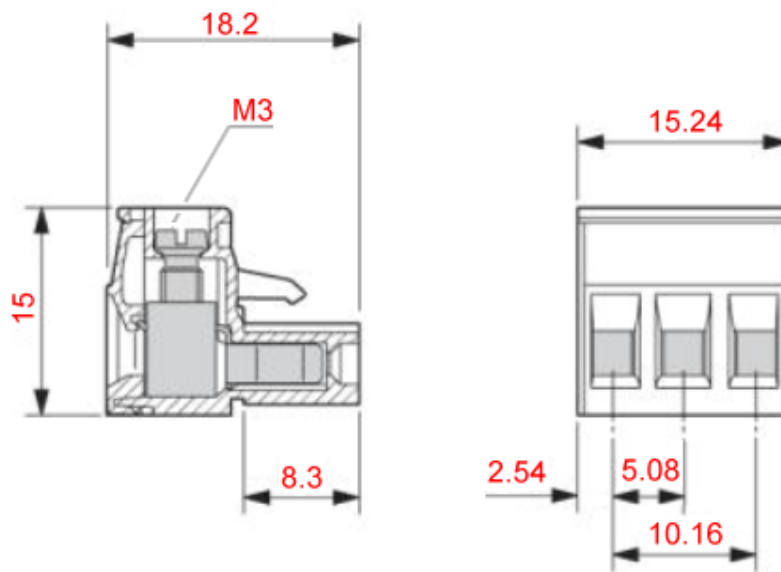


43-495 PHOENIX CONNECTOR 3 pin female



Two-part terminal-strip connectors. The free part has screw terminals for the incoming cable and plugs into the fixed part built into the equipment. Most manufacturers using these connectors supply both parts of the connector with the equipment, but the free part is also offered separately for pre-wiring, testing or maintenance. Each connector has three pins and carries one audio circuit.



Technical data

Range of articles	MSTB 2,5/..-ST
Insulating material group	I
Rated surge voltage (III/3)	4 kV
Rated surge voltage (III/2)	4 kV
Rated surge voltage (II/2)	4 kV
Rated voltage (III/2)	320 V
Rated voltage (II/2)	630 V
Connection in acc. with standard	EN-VDE
Nominal current I_N	12 A
Nominal voltage U_N	250 V
Nominal cross section	2.5 mm ²
Maximum load current	12 A (with 2.5 mm ² conductor cross section)
Insulating material	PA
Inflammability class acc. to UL 94	V0
Internal cylindrical gage	A3
Stripping length	7 mm
Nominal voltage, UL/CUL Use Group B	250 V
Nominal current, UL/CUL Use Group B	12 A
Nominal voltage, UL/CUL Use Group D	300 V
Nominal current, UL/CUL Use Group D	10 A

Connection data

Conductor cross section solid	0.2 mm ² - 2.5 mm ²
Conductor cross section stranded	0.2 mm ² - 2.5 mm ²
Conductor cross section AWG/kcmil min.	24
Conductor cross section AWG/kcmil max	12
Minimum AWG according to UL/CUL	30
Maximum AWG according to UL/CUL	12
Tightening torque	0.5 Nm - 0.6 Nm

Certificates

Certification CB, CSA, CUL, GOST, UL, VDE-PZI

