



Canford LED Illuminated Signs

51-0401 CANFORD LED ILLUMINATED SIGN Base fitting, type A

DESCRIPTION

This range of illuminated signs has been designed by Canford for any application where a visually attractive annunciator is required for applications such as broadcast studios, conference suites, medical centres and other architectural uses. The units have the advantage that the illuminated state is clear to see through a viewing angle of 180 degrees. They are intended to be wall mounted with fixed external wiring and must be used with a suitable cover. A range of translucent covers is available.

e.g. 51-0420 Illuminated Sign Red cover, Unprinted

INSTALLATION INSTRUCTIONS

The installation should be carried out by appropriately qualified staff.

TURN ELECTRICITY SUPPLY OFF AT MAINS BEFORE INSTALLING OR MAINTAINING THIS LUMINAIRE.

Following unpacking and inspection for damage in transit, the base unit should be dis-assembled, firstly by unscrewing the four posi-drive screws holding the LED assembly/reflector plate, (A), to the base, (B), see Figure 1.

NOTE

In the UK the completed installation must comply with "Regulations for electrical installations", current edition, as published by the Institution of Electrical Engineers.

MAINTENANCE

- 1 Ensure a copy of these instructions are presented to the responsible authority for maintenance.
- 2 LED lamps must only be replaced with the correct part available from Canford Audio.
- 3 Clean diffuser/cover regularly with lukewarm soapy water and dry thoroughly before re-fitting

MATERIALS

Base: Epoxy powder coated Aluminium

LED assembly: Epoxy powder coated Aluminium

The attached wiring loom is then disconnected from the base by unplugging the free part, (C), of the mains terminal block. The LED assembly/reflector plate is then laid aside taking care to avoid mis-placing the screws.


The rear cover should be firmly fixed in place, taking care to avoid obstruction of cooling vents, (D), using appropriate fasteners. Fixing holes are provided to match UK (BS 4662), European (DIN) and American flush electrical boxes, as well as UK conduit boxes.

External wiring should be connected, through the entry hole, (E), to the mains terminal block on the base, see Figure 2.

WARNING - THIS EQUIPMENT MUST BE EARTHED.

Connect **Live** wire to the terminal marked 'L'

Connect Neutral wire to the terminal marked 'N'

Connect Earth wire to the terminal marked 

The unit must be fed from a suitably protected supply with a capacity not exceeding 5 amps.

Note: Uninsulated protective earth wires should be sleeved with green/yellow insulating sleeve.

The LED assembly may now be re-connected and fixed in place on the tray and the chosen cover "hooked" onto the base. The unit should now be ready for use

Canford LED Illuminated Signs

TECHNICAL SPECIFICATION

Equipment Type:	Fixed class Luminaire, wall mounted, internal use		
Rated Duty:	Continuous Rated	Rated Max Ambient Temp	40°C
Rated Voltage:	85 – 240v AC	Dimensions: (with Cover)	220mm x 195mm x 140mm (Width x Height x Depth)
Rated Wattage:	15w	Weight, packed:	1Kg approx.
Rated Frequency:	50 - 60Hz		

Figure 1 Exploded diagram

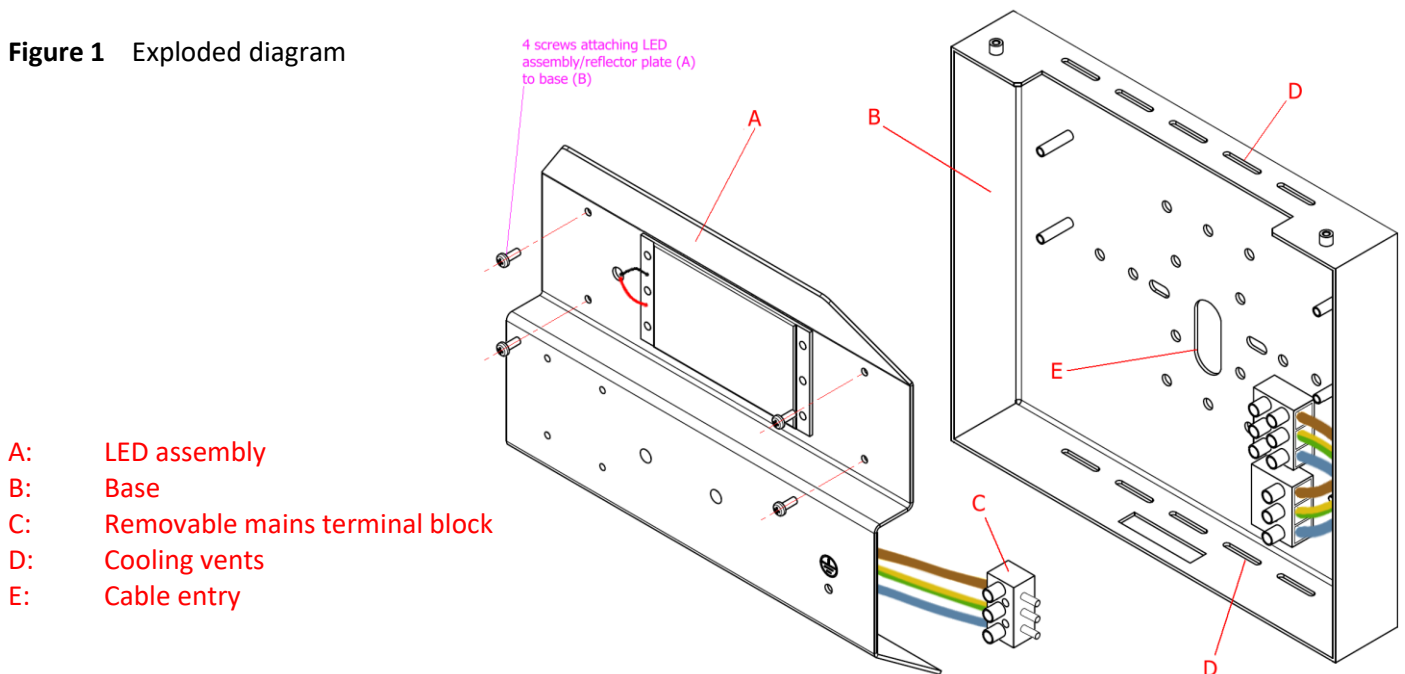


Figure 2 Cable connections & component locations

