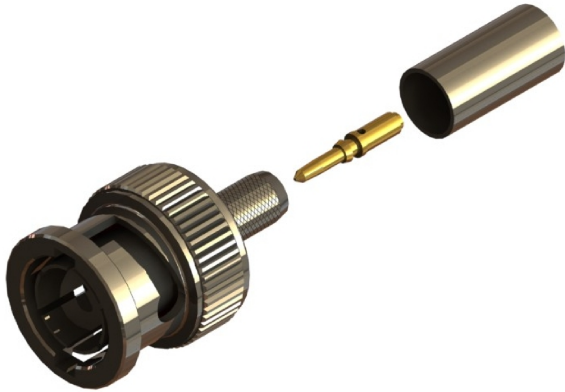
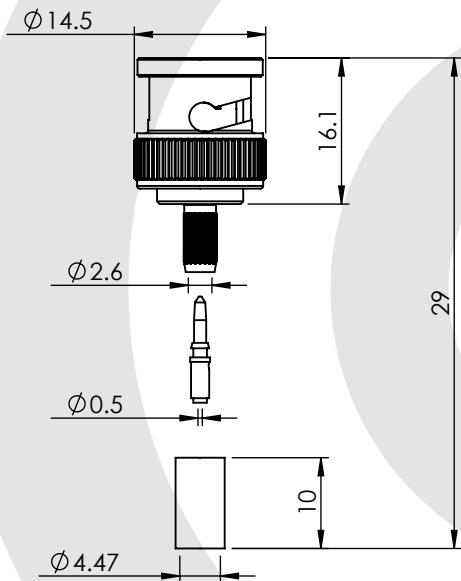


BNC STRAIGHT CRIMP/CRIMP PLUG 10-005-B36-BH



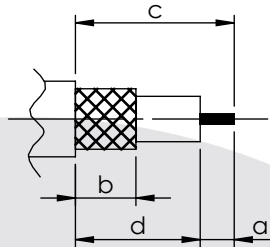
images for illustration purposes only



Suitable for Cables:

(BH) Belden 735A, CT1320

Stripping Dimensions



- a = 4.0 mm
- b = 8.0 mm
- c = 16.0 mm
- d = 12.0 mm

* CUT FOIL TO DIM. "b"

Assembly Procedure: AP001

Tooling

Centre Contact: HEX 1.72 A/F Tool No: 336J

Crimp Sleeve: Hex 4.52mm A/F Tool No: 336J

Alignment Tool: Extraction:

Environmental Specification

Operating Temp: -55 to +155 Deg C.

IP Rating (Mated):

Electrical Specification

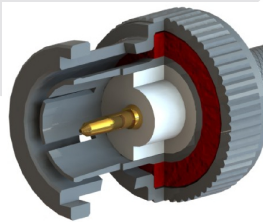
Impedance: 75 Ohm
 Frequency: 0 - 4.5 GHz
 Dielectric W/V: 1500 Veff
 Insulation res: 5000 M-Ohm

Mechanical Specification

Contact Retention: 10 N min
 Cable Retention: 100 N min
 Mating cycles: 500
 Weight: 9.42 g

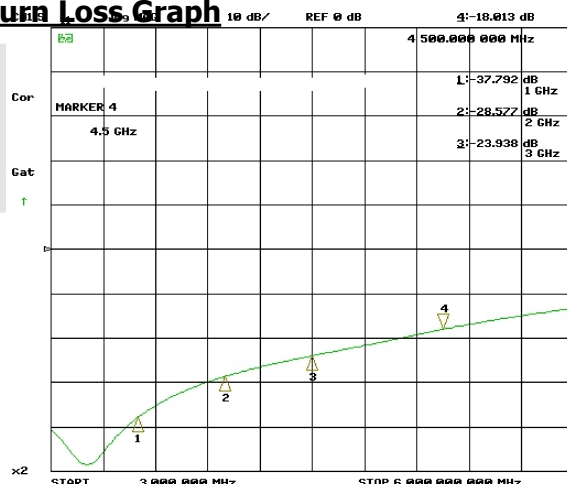
Connector Interface

image for illustration purposes only



- 37.79 dB @
- 28.58 dB @
- 23.94 dB @
- 18.01 dB @

Return Loss Graph



7	WASHERS	SK5	NICKEL
6	BAYONET CAP	ZINC	NICKEL
5	GASKET	SILICONE	N/A
4	CRIMP SLEEVE	BRASS	NICKEL
3	INSULATOR	PTFE	N/A
2	CENTRE CONTACT	BRASS	GOLD
1	BODY	BRASS	NICKEL
ITEM	DESCRIPTION	MATERIAL	PLATING

A4	SHEET 1 OF 1	DIMENSIONS ARE IN MILLIMETRES		
REVISION :	A00	NAME	SIGNATURE	DATE
ISSUE :	1	DRAWN	IG	05/11/2014
		CHK'D	GE	06/11/2014
		APPV'D		
6-8 COLNE ROAD, TWICKENHAM, MIDDLESEX. TW1 4JR				
THE INFORMATION IS GIVEN AS AN INDICATION ONLY AND IS SUBJECT TO CHANGE WITHOUT NOTICE. IN THE CONTINUAL GOAL TO IMPROVE OUR PRODUCTS, WE RESERVE THE RIGHT TO MAKE ANY MODIFICATIONS NECESSARY WITHOUT PRIOR NOTICE.				