



Clever Little Box.

LB-8A

Digital Voice Unit

Quick Start Guide



www.cie-group.com
A better way to buy AV.

Thank you for purchasing the LB-8A Digital Message Player.

The LB-8A provides the ability to store and replay audio files stored on a Secure Internal SD memory card, which can be accessed only by opening up the housing.

Messages/Tones are activated via Voltage Free (dry) contact closures and the Audio Output is supplied at Line Level.

A separate Voltage Free (dry) switched pair is also provided to allow the control of external equipment and devices such as Muting Circuits or All Call relays etc...and is active during the duration of any selected Message/Tone playback.

Housed in a compact but rugged Metal Enclosure all connections are made via Screw Terminal Block.

Power is supplied via a 15V DC Plug Top PSU.

The LB-8A is supplied pre loaded with a number of Stored Files, these are:

File Location	Tone/Message Description
001:	Whoop
002:	Two Tone
003:	GMT Pips
004:	Continuous
005:	4 Note Chime (ascending)
006:	4 Note Chime (descending)
007:	2 Note Chime (Ding Dong)
008:	4 Note Chime (ascending soft)

However these may be replaced by bespoke messages or files of your choice (see below file format/type) by removing the internal SD card and adding your chosen or required file to a file location on the SD card via your PC.

Operation

The LB-8A uses a small Command File or Script on the SDHC card(mode.txt)to determine its mode of operation.

The Default operation is Direct Trigger Mode, in this mode the activation:

T1 corresponds to File 001....T8 corresponds to File 008.

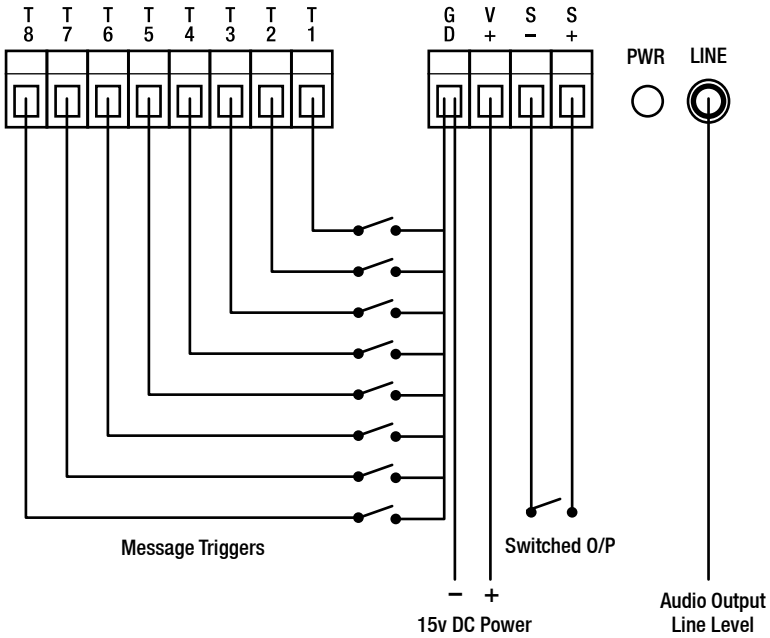
Messages are activated by contact closures which can be push switches, PIR detectors etc...

(See connection details)

Specifications

LB-8A	
File Type	FAT32 (Windows WAV, 8bit, mono)
Sample Rate	6,8,11.025,16 or 22.05KHz
Storage Type/Size	SDHC ,4GB (supplied internally mounted)
Message Activation	8x Voltage Free Contacts
Audio Output:	Line level, unbalanced (via 3.5mm Jack Socket)
Switched Output	1x Voltage Free Contact
Power	12v-30v DC (supplied PSU@15vDC)
Dimensions inc. mounting plate (HxWxD)	85mm x 140mm x 35mm

Connections



Trouble Shooting Guide

1. Plays no sound at all.

- File numbers are not assigned properly.
- The system is in the wrong mode due to missing or incorrect configuration file.
- If the flash card is inserted when the power is on, the system may not work. To fix this problem, turn the power off for a few seconds to reset the system.
- Some CF cards, especially if they have been used in digital cameras, need to be reformatted with the FAT32 file system.
- The output volume of your amplifier may have been set too low. Try turning it up.

2. Plays a wrong File.

- File numbers are not assigned properly.
- The system is in the wrong mode due to missing or incorrect configuration file.

3. Plays trashy sounds.

- It's probably due to unsupported file formats such as 16-bit resolution or ADPCM coding. Re-digitize or convert the file into a supported format.

4. Playback speed is too slow/fast.

- Unsupported sampling rates may result in wrong playback speed. Re-digitize or convert the file into a supported sampling rate.

5. Plays a popping/bursting noise once in a while.

- The speed of the flash card is too slow. Use a faster flash card or convert the file to a lower sampling rate.