



# ATDM-0604a

## **IP Control Protocol Specifications** DIGITAL SMARTMIXER

# Table of Contents

1	Introduction.....	5
1.1	Purpose of This Document.....	5
1.2	Definition of Terms and Numeric Representation.....	5
2	Basic Specifications.....	6
2.1	Communication Interfaces.....	6
2.2	Command Formats.....	7
2.2.1	Command Common Rules.....	7
2.2.2	Set Command/Get Command.....	8
2.2.3	ACK.....	9
2.2.4	NAK.....	9
2.2.5	Answer.....	10
2.2.6	Information.....	10
2.2.7	Request.....	11
3	Command List.....	12
4	TCP Communications.....	17
4.1	Communication Control.....	17
4.1.1	Communication Start.....	17
4.1.2	Control Sequence.....	18
4.1.3	Communication Errors.....	21
4.1.4	Communication End.....	22
4.2	Individual Command Details.....	23
4.2.1	Input CH Level Change Request.....	23
4.2.2	Input CH Level Acquisition Request.....	24
4.2.3	Input CH Mute Status Change Request.....	26
4.2.4	Input CH Mute Status Acquisition Request.....	27
4.2.5	Output CH Level Change Request.....	29
4.2.6	Output CH Level Acquisition Request.....	30
4.2.7	Output CH Mute Status Change Request.....	32
4.2.8	Output CH Mute Status Acquisition Request.....	33
4.2.9	Bus Assign Change Request.....	35
4.2.10	Bus Assign Acquisition Request.....	36
4.2.11	Operator Fader Level Change Request.....	38
4.2.12	Operator Fader Level Acquisition Request.....	39
4.2.13	Operator Fader Mute Status Change Request.....	41
4.2.14	Operator Fader Mute Status Acquisition Request.....	42
4.2.15	SmartMix Mode Change Request.....	44
4.2.16	SmartMix Mode Acquisition Request.....	45
4.2.17	Number Of Open Microphones Change Request.....	47
4.2.18	Number Of Open Microphones Acquisition Request.....	48
4.2.19	Preset Call Request.....	50

4.2.20	Preset Save Request .....	51
4.2.21	Partial Preset Call Request .....	52
4.3	Input Command Details .....	53
4.3.1	Input Gain/Level Setting Change Request .....	53
4.3.2	Input Gain/Level Setting Acquisition Request .....	55
4.3.3	Input Channel Setting Change Request .....	57
4.3.4	Input Channel Setting Acquisition Request .....	60
4.3.5	EQ Input Setting Change Request .....	64
4.3.6	EQ Input Setting Acquisition Request .....	66
4.3.7	FBS Common Setting Change Request .....	69
4.3.8	FBS Common Setting Acquisition Request .....	70
4.3.9	FBS Setting Change Request .....	72
4.3.10	FBS Setting Acquisition Request .....	74
4.3.11	Input Channel Dynamics Setting Change Request .....	78
4.3.12	Input Channel Dynamics Setting Acquisition Request .....	81
4.3.13	AEC Setting Change Request .....	84
4.3.14	AEC Setting Acquisition Request .....	86
4.3.15	Smart Mix Setting Change Request .....	88
4.3.16	Smart Mix Setting Acquisition Request .....	90
4.3.17	Smart Mix Common Setting Change Request .....	92
4.3.18	Smart Mix Common Setting Acquisition Request .....	94
4.3.19	Ducker Setting Change Request .....	96
4.3.20	Ducker Setting Acquisition Request .....	97
4.4	Output Command Details .....	99
4.4.1	Output Level Setting Change Request .....	99
4.4.2	Output Level Setting Acquisition Request .....	101
4.4.3	Output Channel Mute Setting Change Request .....	103
4.4.4	Output Channel Mute Setting Acquisition Request .....	104
4.4.5	Output Channel Setting Change Request .....	106
4.4.6	Output Channel Setting Acquisition Request .....	108
4.4.7	EQ Output Setting Change Request .....	111
4.4.8	EQ Output Setting Acquisition Request .....	115
4.4.9	12BandEQFunction Request .....	120
4.4.10	FBS Setting Change Request .....	121
4.4.11	FBS Setting Acquisition Request .....	122
4.4.12	Dynamics/Delay Setting Change Request .....	123
4.4.13	Dynamics/Delay Setting Acquisition Request .....	126
4.4.14	USB Output Setting Change Request .....	130
4.4.15	USB Output Setting Acquisition Request .....	131
4.4.16	Oscillator Control Setting Change Request .....	133
4.4.17	Oscillator Control Setting Acquisition Request .....	135
4.5	Operator Page Command Details .....	137
4.5.1	Operator Page Common Setting Change Request .....	137

4.5.2	Operator Page Common Setting Acquisition Request .....	138
4.5.3	Operator Page Setting Change Request.....	140
4.5.4	Operator Page Setting Acquisition Request.....	141
4.5.5	Operator Page Channel Setting Change Request .....	143
4.5.6	Operator Page Channel Setting Acquisition Request .....	145
4.5.7	Operator Page Assign Channel Setting Change Request.....	147
4.5.8	Operator Page Assign Channel Setting Acquisition Request.....	149
4.5.9	Operator Page Channel Mute Request .....	151
4.5.10	Array Mic Mute Control Request .....	152
4.5.11	Array Mic Mute Status Acquisition Request .....	153
4.6	System Command Details.....	155
4.6.1	Factory Default Setting Request .....	155
4.6.2	Permission Setting Change Request .....	157
4.6.3	Permission Setting Acquisition Request.....	159
4.6.4	Network Setting Change Request.....	160
4.6.5	Network Setting Acquisition Request .....	163
4.6.6	Firmware Version Acquisition Request .....	166
4.6.7	Header Color Setting Change Request.....	167
4.6.8	Header Color Setting Acquisition Request .....	168
4.6.9	AT-LINK Mode Setting Change Request .....	170
4.6.10	AT-LINK Mode Setting Acquisition Request.....	171
4.6.11	AT-LINK Status Acquisition Request .....	173
4.6.12	Connected Device Restriction Setting Change Request.....	175
4.6.13	Connected Device Restriction Setting Acquisition Request .....	177
4.6.14	Audio System Setting Change Request.....	179
4.6.15	Audio System Setting Acquisition Request .....	181
4.6.16	Front Panel Setting Change Request .....	184
4.6.17	Front Panel Setting Acquisition Request.....	185
4.6.18	Front Panel Function Setting Change Request.....	187
4.6.19	Front Panel Function Setting Acquisition Request .....	188
4.6.20	Log Setting Change Request .....	190
4.6.21	Log Setting Acquisition Request .....	191
4.6.22	Preset Call Request .....	193
4.6.23	Preset Save Request .....	194
4.6.24	Preset Bank Name Change Request .....	195
4.6.25	Preset Bank Name Acquisition Request .....	196
4.6.26	Boot Up Preset Setting Change Request.....	198
4.6.27	Boot Up Preset Setting Acquisition Request .....	199
4.6.28	Preset Common Setting Change Request .....	201
4.6.29	Preset Common Setting Acquisition Request .....	202
4.6.30	File Transfer Request.....	204
4.6.31	File Transfer Cancel Request .....	206
4.6.32	Export Request .....	207

4.6.33	Import Request .....	209
4.6.34	Level Meter Notification Interval Setting Change Request .....	210
4.6.35	Level Meter Notification Interval Setting Acquisition Request .....	211
4.6.36	Level Meter Acquisition Request.....	213
4.6.37	Identify Request .....	215
4.6.38	Date Setting Request .....	216
4.6.39	Reboot Request .....	217
4.6.40	Device ID Acquisition Request.....	218
4.6.41	Preset Number Acquisition Request .....	218
4.6.42	Partial Preset Call Request.....	219
4.6.43	Partial Preset Number Acquisition Request .....	221
5	UDP Communications .....	222
5.1	Communication Control.....	222
5.1.1	Communication Start .....	222
5.1.2	Control Sequence .....	222
5.1.3	Communication Errors .....	222
5.1.4	Communication End.....	222
5.2	Command Details.....	223
5.2.1	Level Meter Notification.....	223
5.2.2	Open Channel Status Notification .....	225
5.2.3	Can Cut Setting Notification .....	226
5.2.4	Input Gain/Level Setting Notification .....	228
5.2.5	Output Level Setting Notification .....	229
5.2.6	Output Channel Mute Notification .....	230
5.2.7	FBS Notification .....	231
5.2.8	Operator Page Channel Setting Notification .....	234
5.2.9	Array Mic Mute Status Notification .....	235
5.2.10	Recording Status Notification.....	236
5.2.11	Preset Call Notification.....	237
5.2.12	Partial Preset Call Notification.....	238
5.2.13	IP Control Start Notification.....	239
6	Appendix.....	240
6.1	Fader Table.....	240
6.2	Frequency Table .....	241
6.3	Q Value Table .....	242
6.4	EQ Gain Table .....	243
6.5	Input Gain Table.....	244
6.6	Transfer data type .....	245

# 1 Introduction

## 1.1 Purpose of This Document

This document refers to the command specification to control ATDM-0604a developed by Audio-Technica.

## 1.2 Definition of Terms and Numeric Representation

The following table shows the definition of terms used in this document.

Term	Description
Host	A device that issues control commands. It refers to application software or a control device.
Device	A device to be controlled.
AT device	A device developed by Audio-Technica.
Message	A character string transmitted per communication in data format.
Command	A command statement to control a device. It is included in a message.
Parameter	Used in combination with a command. It is a setting value that specifies a command behavior.

The numeric representation is defined as follows:

Binary number: A value followed by "b." Example: 1010 0110b

Hexadecimal number: A value preceded by "0x." Example: 0xA6

## 2 Basic Specifications

The IP control function uses TCP or UDP protocol to control the ATDM-0604a.

### 2.1 Communication Interfaces

**Table 2-1 Communication Interfaces**

No	Item	Content	Remarks
1.	Communication system	Full duplex	
2.	Transmission speed	10Mbps / 100Mbps	
3.	Port number	Described later	
4.	Maximum data length <sup>1</sup>	287 bytes (including line feed codes)	32 bytes for Ethernet communication header, 255 bytes for control command
5.	Compatible connector	Device: RJ45 connector (compatible with 10/100 Mbps) Cable: CAT5e or higher	

<sup>1</sup> File Transfer Request and Export Request are exceptions.

## 2.2 Command Formats

Transmitted commands are categorized as follows:

**Table 2-2 Communication Interfaces**

No	Command	Content	Remarks
1.	Set Command	Action command	Change the ATDM-0604a settings.
2.	Get Command	Action command	Obtain the ATDM-0604a settings and status.
3.	ACK	Acknowledge	Responds to a Set Command.
4.	NAK	Negative acknowledge	Responds to a Set Command.
5.	Answer	Setting change notification	Responds to a Get Command.
6.	Information	Status change notification	Report the ATDM-0604a settings and status change.
7.	Request	Action request	Requests an action to the host.

### 2.2.1 Command Common Rules

- [1] Use a single-byte space (␣: 0x20) as a delimiter.
- [2] In general, use ASCII codes for commands and UTF-8 for the parameters of specific commands (Example: Naming a device, etc.).
- [3] Add CR (0x0d) to the end of each command.

Example:

```
s_permission␣S␣0000␣00␣NC␣"ATDM-0604a",0,,,,,,,,␣␣
factory␣ACK␣␣
factory␣NAK␣01␣␣
g_permission␣0000␣00␣NC␣"ATDM-0604a",0,,,,,,,,␣␣
MD open_channel_notice␣0000␣00␣NC␣0,0,0,0,0,0␣␣
```

- ␣: Indicates a space.
- ␣: Indicates CR (0x0d).
- █: Indicates a command parameter.



## 2.2.2 Set Command/Get Command

The action command format is shown below.

**Table 2-3 Action Command Format**

No	Item	Content	size	Remarks
1.	Command	Command string	0 bytes~	See 3. <a href="#">Command List</a> .
2.	Handshake Select	Sequence execution system	1byte	H: Handshake method (Not used) O: One-Way method S: ACK/NAK format
3.	Model ID	Not used	4byte	Fixed to 0000.
4.	Device ID	Not used	2byte	Fixed to 00.
5.	Continue Select	Divided message system	2byte	NC: No divided message CS: Head of divided message CM: Divided message CE: End of divided message
6.	Parameter	Command parameter	0 bytes~	See Chapter 4.
7.	End Character	Message end character	1byte	CR (0x0D)

### 2.2.2.1 Omitting Parameters

When you send a command from the host, you can omit its parameters. To omit parameters, do not specify any data between the comma (,) or space (\_) delimiters.

Example: To omit all the parameters

```
s_permission _S _0000 _00 _NC _,,,,,,,,, _↓
```

Depending on the command, however,

- An error may occur when all the parameters are omitted.
- The parameters may become "not specified" instead of "omitted."

In the above case, the parameters that cannot be omitted are provided for each command in Chapter 4.6 or later.

### 2.2.3ACK

The acknowledge command format is shown below.

**Table 2-4 Acknowledge Command Format**

No	Item	Content	Size	Remarks
1.	Command	Command string	0 bytes~	See 3. <a href="#">Command List</a> .
2.	ACK	ACK	3byte	Fixed to ACK.
3.	End Character	Message end character	1byte	CR (0x0D)

### 2.2.4NAK

The negative acknowledge command format is shown below.

**Table 2-5 Negative Acknowledge Command Format**

No	Item	Content	Size	Remarks
1.	Command	Command string	0 bytes~	See 3. <a href="#">Command List</a> .
2.	NAK	NAK	3byte	Fixed to NAK.
3.	Error Code	Error code	2byte	See <a href="#">Table 2-6</a> .
4.	End Character	Message end character	1byte	CR (0x0D)

#### 2.2.4.1 Error Codes

The error codes are shown below.

**Table 2-6 Error Codes**

Error code	Error description	Remarks
01	Syntax error	<ul style="list-style-type: none"> <li>A required element is not found.</li> <li>The character string of a required element is incorrect.</li> <li>The character string length for each element is outside the specified range.</li> <li>The message string length including line feed codes is greater than the upper limit.</li> </ul>
02	Invalid command	<ul style="list-style-type: none"> <li>The command is not found. (A non-existing command was specified. A command that cannot be used for the device was specified.)</li> </ul>
03	Splitting transmission error	<ul style="list-style-type: none"> <li>"CM" or "CE" was specified when "CS" of Continue Select had not been received.</li> </ul>
04	Parameter error	<ul style="list-style-type: none"> <li>An invalid channel was specified.</li> <li>The parameter is outside the specified range.</li> <li>Changing a parameter that cannot be changed was attempted. (Changing Priority during Talk On)</li> </ul>
05	Transmission timeout	Not used
90	Busy	Unable to process due to a busy state
92	Busy (Save mode)	Unable to process due to p-Fail (power shutdown) occurrence
93	Busy(Extension)	Unable to process due to the Extension mode (AT link)
99	Other errors	Errors other than the above

## 2.2.5 Answer

The command format of the setting status response is shown below.

**Table 2-7 Setting Status Return Command Format**

No	Item	Content	size	Remarks
1.	Command	Command string	0 bytes~	See 3. <a href="#">Command List</a> .
2.	Model ID	Not used	4byte	Fixed to 0000.
3.	Device ID	Device ID	2byte	00 to FF
4.	Continue Select	Divided message system	2byte	NC: No divided message CS: Head of divided message CM: Divided message CE: End of divided message
5.	Parameter	Command parameter	0 bytes~	See Chapters 4 and 5.
6.	End Character	Message end character	1byte	CR (0x0D)

## 2.2.6 Information

The command format of the status change notification is shown below.

**Table 2-8 Status Change Notification Command Format**

No	Item	Content	size	Remarks
1.	Modify	MD	2byte	Fixed to MD.
2.	Command	Command string	0 bytes~	See 3. <a href="#">Command List</a> .
3.	Model ID	Not used	4byte	Fixed to 0000.
4.	Device ID	Device ID	2byte	00 to FF
5.	Continue Select	Divided message system	2byte	NC: No divided message CS: Head of divided message CM: Divided message CE: End of divided message
6.	Parameter	Command parameter	0 bytes~	See Chapter 5.
7.	End Character	Message end character	1byte	CR (0x0D)

## 2.2.7 Request

The command format of the action request is shown below.

**Table 2-9 Action Request Command Format**

No	Item	Content	size	Remarks
1.	Request	RQ	2byte	Fixed to RQ.
2.	Command	Command string	0 bytes~	See 3. <a href="#">Command List</a> .
3.	Model ID	Not used	4byte	Fixed to 0000.
4.	Device ID	Not used	2byte	Fixed to 00.
5.	Continue Select	Divided message system	2byte	NC: No divided message CS: Head of divided message CM: Divided message CE: End of divided message
6.	Parameter	Command parameter	0 bytes~	See Chapter 4.
7.	End Character	Message end character	1byte	CR (0x0D)

### 3 Command List

**Table 3-1 Command List**

No	Category	Command	Command Name	Remarks	type			ATDM-0604 compatibility
					set	get	info	
1	Individual command	SICL	Input CH Level Change Request		○			-
2		GICL	Input CH Level Acquisition Request			○		-
3		SICM	Input CH Mute Status Change Request		○			-
4		GICM	Input CH Mute Status Acquisition Request			○		-
5		SOCL	Output CH Level Change Request		○			-
6		GOCL	Output CH Level Acquisition Request			○		-
7		SOCM	Output CH Mute Status Change Request		○			-
8		GOCM	Output CH Mute Status Acquisition Request			○		-
9		SBUS	Bus Assign Change Request		○			-
10		GBUS	Bus Assign Acquisition Request			○		-
11		SOPL	Operator Fader Level Change Request		○			-
12		GOPL	Operator Fader Level Acquisition Request			○		-
13		SOPM	Operator Fader Mute Status Change Request		○			-
14		GOPM	Operator Fader Mute Status Acquisition Request			○		-
15		SSMM	SmartMix Mode Change Request		○			-
16		GSMM	SmartMix Mode Acquisition Request			○		-
17		NOOM	Number Of Open Microphones Change Request		○			-
18		GNOOM	Number Of Open Microphones Acquisition Request			○		-
19		CALLP	Preset Call Request		○			-
20		REGIP	Preset Save Request		○			-
21		CALLPP	Partial Preset Call Request		○			-
22	Input	s_input_gain_level	Input Gain/Level Setting Change Request		○			Compatible
23		g_input_gain_level	Input Gain/Level Setting Acquisition Request			○		Compatible
24		input_gain_level_meter_notice	Input Gain/Level Setting Notification				○	Compatible
25		s_input_channel_settings	Input Channel Setting Change Request		○			Compatible

No	Category	Command	Command Name	Remarks	type			ATDM-0604 compatibility
					set	get	info	
26		g_input_channel_settings	Input Channel Setting Acquisition Request			○		Compatible
27		s_input_eq	EQ Input Setting Change Request		○			Compatible
28		g_input_eq	EQ Input Setting Acquisition Request			○		Compatible
29		s_fbs_general	FBS Common Setting Change Request		○			Compatible
30		g_fbs_general	FBS Common Setting Acquisition Request			○		Compatible
31		s_fbs	FBS Setting Change Request		○			Compatible
32		g_fbs	FBS Setting Acquisition Request			○		Compatible
33		s_input_channel_comp_settings	Input Channel Dynamics Setting Change Request		○			-
34		g_input_channel_comp_settings	Input Channel Dynamics Setting Acquisition Request			○		-
35		s_aec_general	AEC Setting Change Request		○			Compatible
36		g_aec_general	AEC Setting Acquisition Request			○		Compatible
37		s_smart_mix	Smart Mix Setting Change Request		○			Not compatible
38		g_smart_mix	Smart Mix Setting Acquisition Request			○		Not compatible
39		s_smart_mix_general	Smart Mix Common Setting Change Request		○			Compatible
40		g_smart_mix_general	Smart Mix Common Setting Acquisition Request			○		Compatible
41		s_ducker_general	Ducker Setting Change Request		○			Not compatible
42		g_ducker_general	Ducker Setting Acquisition Request			○		Not compatible
43		open_channel_notice	Open Channel Status Notification				○	Not compatible
44		cancut_notice	Can Cut Setting Notification				○	Compatible
45		fbs_notice	FBS Notification				○	Not compatible
46	Output	s_output_level	Output Level Setting Change Request		○			Compatible
47		g_output_level	Output Level Setting Acquisition Request			○		Compatible
48		output_level_notice	Output Level Setting Notification				○	Compatible
49		s_output_mute	Output Channel Mute Setting Change Request		○			Compatible
50		g_output_mute	Output Channel Mute Setting Acquisition Request			○		Compatible
51		output_mute_notice	Output Channel Mute Notification				○	Compatible
52		s_output_channel_settings	Output Channel Setting Change Request		○			Compatible
53		g_output_channel_settings	Output Channel Setting Acquisition Request			○		Compatible
54		s_output_eq	EQ Output Setting Change Request		○			Compatible
55		g_output_eq	EQ Output Setting Acquisition Request			○		Compatible

No	Category	Command	Command Name	Remarks	type			ATDM-0604 compatibility
					set	get	info	
56		s_output_12eq_func	12BandEQFunction Request		○			-
57		s_fbs	FBS Setting Change Request		○			Compatible
58		g_fbs	FBS Setting Acquisition Request			○		Compatible
59		s_dynamics_delay	Dynamics/Delay Setting Change Request		○			Not compatible
60		g_dynamics_delay	Dynamics/Delay Setting Acquisition Request			○		Not compatible
61		s_usb_out	USB Output Setting Change Request		○			Not compatible
62		g_usb_out	USB Output Setting Acquisition Request			○		Not compatible
63		s_oscillator	Oscillator Control Setting Change Request		○			-
64		g_oscillator	Oscillator Control Setting Acquisition Request			○		-
65		fbs_notice	FBS Notification				○	Not compatible
66	Operator page	s_operator_general	Operator Page Common Setting Change Request		○			Not compatible
67		g_operator_general	Operator Page Common Setting Acquisition Request			○		Not compatible
68		s_operator_pagesettings	Operator Page Setting Change Request		○			-
69		g_operator_pagesettings	Operator Page Setting Acquisition Request			○		-
70		s_operator_channel	Operator Page Channel Setting Change Request		○			-
71		g_operator_channel	Operator Page Channel Setting Acquisition Request			○		-
72		operator_channel_notice	Operator Page Channel Setting Notification				○	Compatible
73		s_operator_assign	Operator Page Assign Channel Setting Change Request		○			-
74		g_operator_assign	Operator Page Assign Channel Setting Acquisition Request			○		-
75		s_operator_mute	Operator Page Channel Mute Request		○			Compatible
76		s_arraymic_mute	Array Mic Mute Control Request		○			Compatible
77		g_arraymic_mute	Array Mic Mute Status Acquisition Request			○		Compatible
78		arraymic_mute_notice	Array Mic Mute Status Notification				○	Compatible
79		rec_status_notice	Recording Status Notification				○	-
80	System	factory_settings	Factory Default Setting Request		○			-
81		g_deviceid	Device ID Acquisition Request			○		-
82		s_permission	Permission Setting Change Request		○			Compatible
83		g_permission	Permission Setting Acquisition Request			○		Compatible
84		s_network	Network Setting Change Request		○			Compatible
85		g_network	Network Setting Acquisition Request			○		Compatible

No	Category	Command	Command Name	Remarks	type			ATDM-0604 compatibility
					set	get	info	
86		g_firmware_version	Firmware Version Acquisition Request			○		Compatible
87		s_header_color	Header Color Setting Change Request		○			Compatible
88		g_header_color	Header Color Setting Acquisition Request			○		Compatible
89		s_link	AT-LINK Mode Setting Change Request		○			Compatible
90		g_link	AT-LINK Mode Setting Acquisition Request			○		Compatible
91		g_link_extstatus	AT-LINK Status Acquisition Request			○		-
92		s_connected_limit	Connected Device Restriction Setting Change Request		○			Compatible
93		g_connected_limit	Connected Device Restriction Setting Acquisition Request			○		Compatible
94		s_audio_system	Audio System Setting Change Request		○			Not compatible
95		g_audio_system	Audio System Setting Acquisition Request			○		Not compatible
96		s_front_panel	Front Panel Setting Change Request		○			Not compatible
97		g_front_panel	Front Panel Setting Acquisition Request			○		Not compatible
98		s_front_panel_limit	Front Panel Function Setting Change Request		○			-
99		g_front_panel_limit	Front Panel Function Setting Acquisition Request			○		-
100		s_log	Log Setting Change Request		○			Compatible
101		g_log	Log Setting Acquisition Request			○		Compatible
102		call_preset	Preset Call Request		○			Compatible
103		save_preset	Preset Save Request		○			Compatible
104		s_name_bank	Preset Bank Name Change Request		○			Compatible
105		g_name_bank	Preset Bank Name Acquisition Request			○		Compatible
106		s_bootup_preset	Boot Up Preset Setting Change Request		○			Compatible
107		g_bootup_preset	Boot Up Preset Setting Acquisition Request			○		Compatible
108		s_preset_general	Preset Common Setting Change Request		○			-
109		g_preset_general	Preset Common Setting Acquisition Request			○		-
110		g_preset_number	Preset Number Acquisition Request			○		-
111		recall_preset_notice	Preset Call Notification				○	-
112		call_partial_preset	Partial Preset Call Request		○			-
113		g_partial_preset_number	Partial Preset Number Acquisition Request			○		-
114		recall_partial_preset_notice	Partial Preset Call Notification				○	-
115		file_transfer	File Transfer Request		○			Compatible



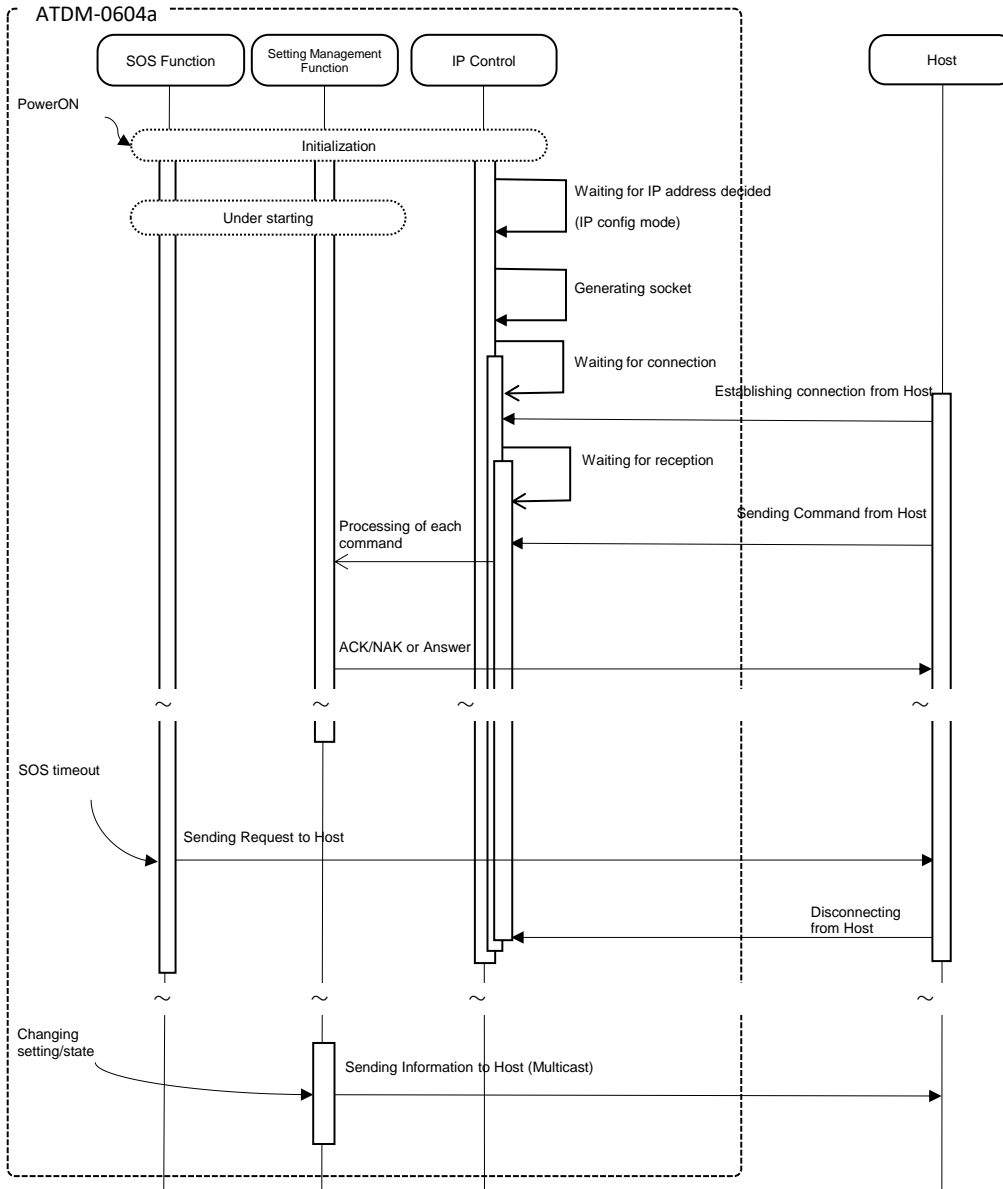
No	Category	Command	Command Name	Remarks	type			ATDM-0604 compatibility
					set	get	info	
116		file_transfer_cancel	File Transfer Cancel Request		○			Compatible
117		export	Export Request			○		Compatible
118		import	Import Request		○			Compatible
119		s_level_meter_interval	Level Meter Notification Interval Setting Change Request		○			Compatible
120		g_level_meter_interval	Level Meter Notification Interval Setting Acquisition Request			○		-
121		g_level_meter	Level Meter Acquisition Request			○		Not compatible
122		level_meter_notice	Level Meter Notification				○	Not compatible
123		identify	Identify Request		○			Compatible
124		s_date	Date Setting Request		○			Compatible
125		reboot	Reboot Request		○			-

## 4 TCP Communications

To control the ATDM-0604a from the host, TCP protocol is used for communications.

### 4.1 Communication Control

The following figure shows the communication control flow of IP control.



**Figure 4-1 Communication Control Flow**

- After the system is booted, the status changes from initializing to connection waiting.
- When the host establishes connection with the system, the status changes from connection waiting to reception waiting.
- Received commands are processed by internal processing tasks, and the results (ACK/NAK) are sent.  
Since commands are processed asynchronously, commands can be received even during processing (the next command can be sent without waiting for an ACK/NAK or Answer). Depending on the command, however, NAK (90: BUSY) may occur.
- When the system is disconnected from the host, the status changes from reception waiting to connection waiting.

#### 4.1.1 Communication Start

The host establishes connections with the ATDM-0604a.

Simultaneous connection is limited to 5 devices. If the number exceeds the upper limit, the extra connection fails.

**Table 4-1 Communication Control Parameters**

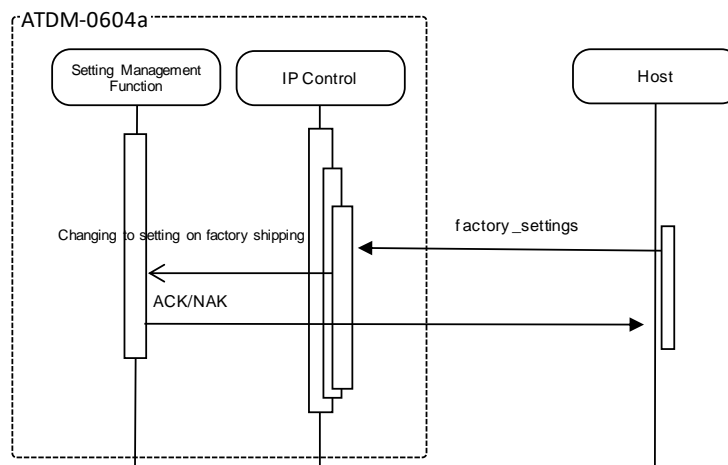
No	Name	Default Setting	Remarks
1.	IPAddress	Auto	
2.	Port No	17300	

## 4.1.2 Control Sequence

### 4.1.2.1 Set Command

Responding to a Set Command, the ATDM-0604a sends ACK/NAK to the sender.

<Example> The sequence of factory default setting is shown below.



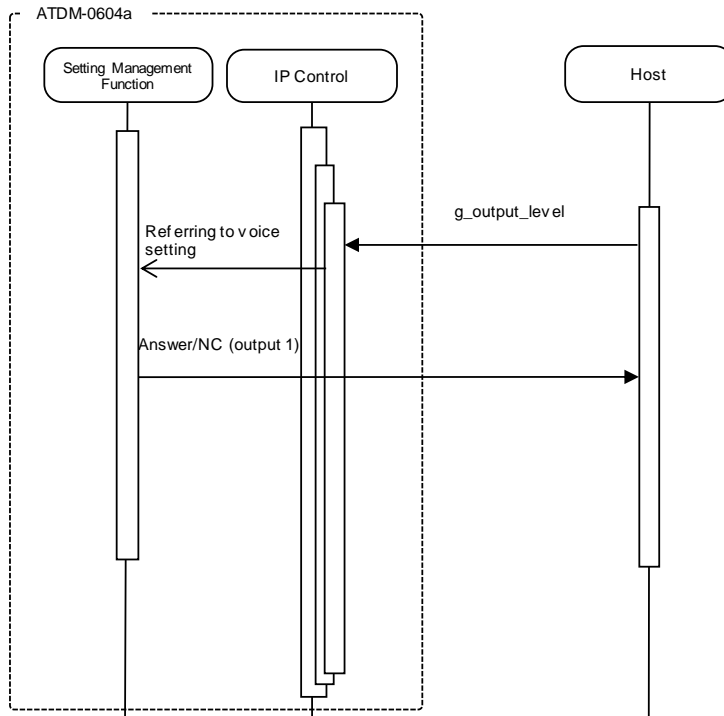
**Figure 4-2 Set Command Processing Sequence**

If an error occurs in a Set Command, such as a syntax error or incorrect parameter, an NAK command is sent to the sender.

### 4.1.2.2 Get Command

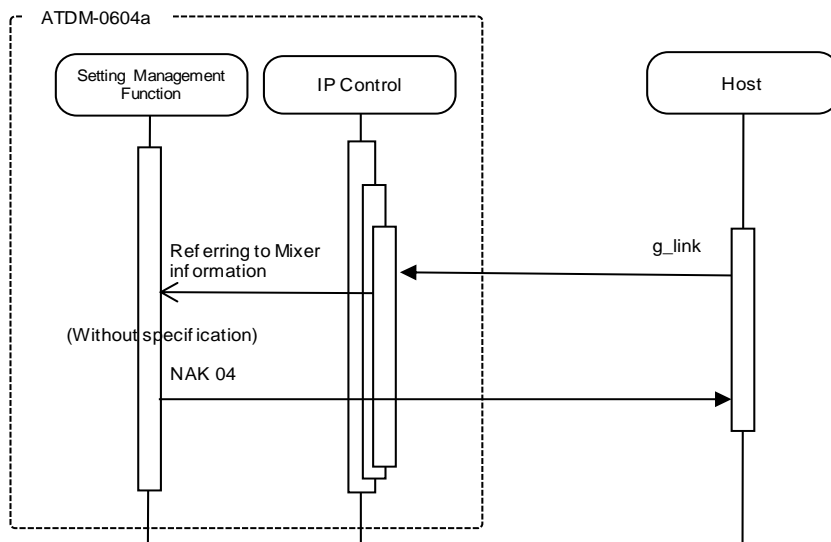
Responding to a Get Command, the ATDM-0604a sends Answer to the sender.

<Example> The sequence of Output Level Setting Acquisition Request is shown below.



**Figure 4-3 Get Command Processing Sequence**

If an error occurs in a Get Command, such as a syntax error or incorrect parameter, a NAK command is sent to the sender.



**Figure 4-4 Get Command Processing Sequence (NAK)**

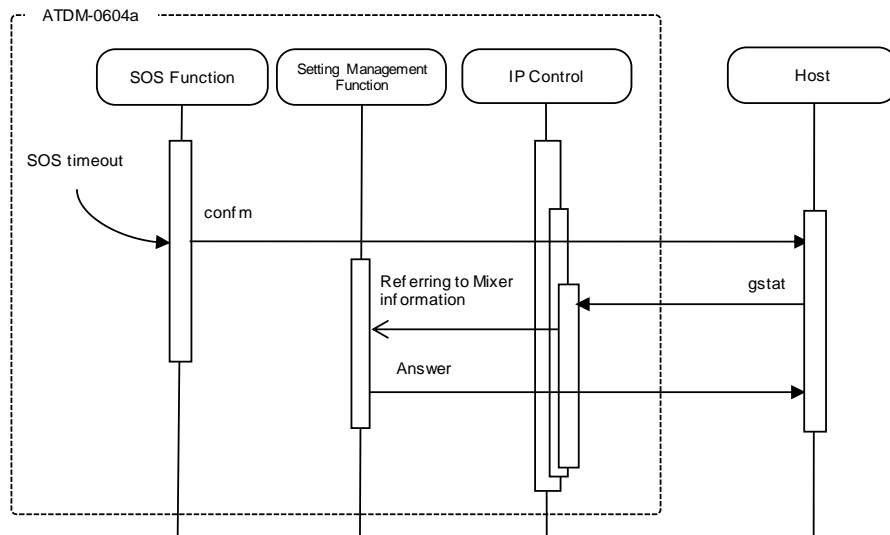
### 4.1.2.3 Request

The ATDM-0604a sends a Request command at any timing. (Not supported)

<Example> The sequence of status check notification is shown below.

The ATDM-0604a sends the status check notification command to all the connected sockets.

A host receiving the status check notification command needs to send a specific command to the ATDM-0604a.

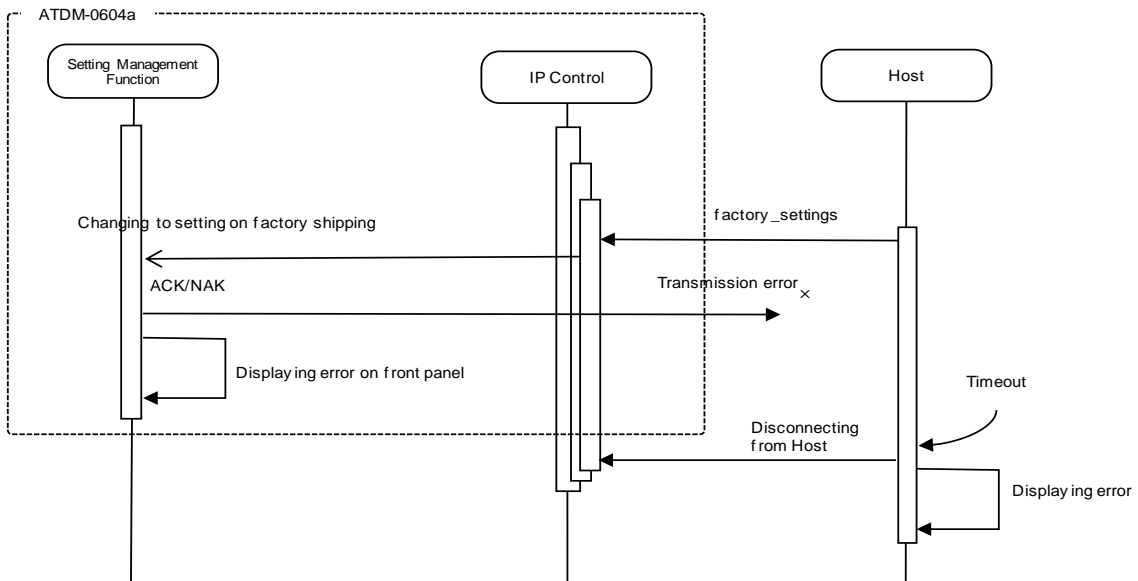


**Figure 4-5 Request Command Processing Sequence**

## 4.1.3 Communication Errors

### 4.1.3.1 Transmission Errors

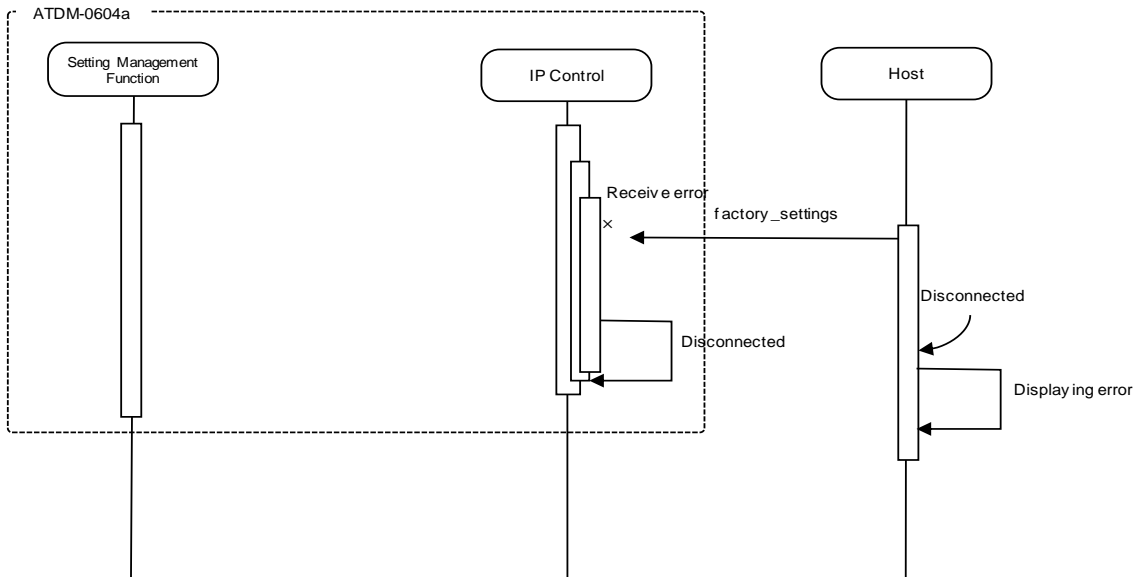
The following figure shows the sequence when an ACK/NAK transmission error occurs.



**Figure 4-6 Sequence for Transmission Errors**

### 4.1.3.2 Receive Errors

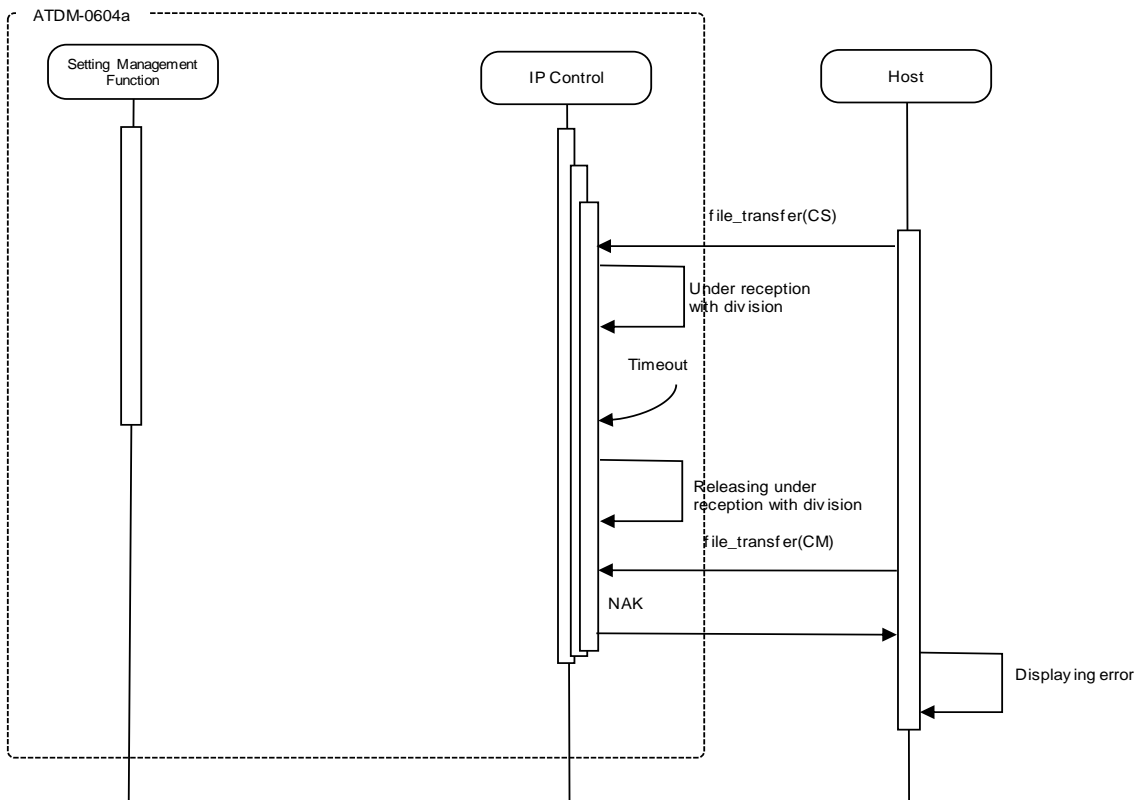
The following figure shows the sequence when a command receive error occurs.



**Figure 4-7 Sequence for Receive Errors**

### 4.1.3.3 Message Split Receive Timeouts

The following figure shows the sequence when a message split receive timeout occurs.



**Figure 4-8 Sequence for Message Split Receive Timeouts**

### 4.1.4 Communication End

The host can be disconnected at any timing when communications end.

When it is disconnected, the ATDM-0604a clears the corresponding connection state (Example: File transferring) and enters the connection wait state again. This occurs even if a cable is disconnected. To communicate again, the host needs to establish connection.

## 4.2 Individual Command Details

### 4.2.1 Input CH Level Change Request

After receiving the Input CH Level Change Request, the ATDM-0604a sends the processing results to the host via ACK or NAK.

[1] Set Command

In case of the Input CH Level Change Request from the host, refer to the command format table below.

SICL\_S\_0000\_00\_NC\_1,511\_↵

**Table 4-2 Command Format**

No	item	Description	type	value	value description	remarks
1	Command	Command string	string	SICL		
2	HandShake Select	Sequence execution system	string	S		
3	Model ID	Not used	string	0000		Not used
4	Device ID	Not used	string	00		Not used
5	Continue Select	Divided message system	string	NC	No divided message	
6	Parameter	Parameter				
	Input Channel Select	Input channel select	string	0 to 5 10	Input channel 1 to 6 Input ST	
	Level	Level	string	0 to 511	-∞, -120 to +10dB	See 6.1 Fader Table.
7	End Character	Message end character	binary	0x0d	CR	

[2] ACK/NAK

See Factory Default Setting Request [2].



### 4.2.2 Input CH Level Acquisition Request

After receiving the Input CH Level Acquisition Request, the ATDM-0604a sends the input CH level to the host via Answer.

[1] Get Command

In case of the Input CH Level Acquisition Request from the host, refer to the command format table below.

GICL\_O\_0000\_00\_NC\_1\_↓

**Table 4-3 Command Format**

No	item	Description	type	value	value description	remarks
1	Command	Command string	string	GICL		
2	HandShake Select	Sequence execution system	string	O		
3	Model ID	Not used	string	0000		Not used
4	Device ID	Not used	string	00		Not used
5	Continue Select	Divided message system	string	NC	No divided message	
6	Parameter	Parameter				
	Input Channel Select	Input channel select	string	0 to 5 10	Input channel 1 to 5 Input ST	
7	End Character	Message end character	binary	0x0d	CR	

[2] Answer

Refer to the table below for Answer Command format from the ATDM-0604a.

GICL\_0000\_00\_NC\_1,511\_↵

**Table 4-4 Answer Command Format**

No	item	Description	type	value	value description	remarks
1	Command	Command string	string	GICL		
2	Model ID	Not used	string	0000		Not used
3	Device ID	Device ID	string	00 to FF	Device ID	
4	Continue Select	Divided message system	string	NC	No divided message	
5	Parameter	Parameter	string			
	Input Channel Select	Input channel select	string	0 to 5 10	Input channel 1 to 6 Input ST	
	Level	Level	string	0 to 511	-∞, -120 to +10dB	See 6.1 Fader Table.
6	End Character	Message end character	binary	0x0d	CR	

### 4.2.3 Input CH Mute Status Change Request

After receiving the Input CH Mute Status Change Request, the ATDM-0604a sends the processing results to the host via ACK or NAK.

[1] Set Command

In case of the Input CH Mute Status Change Request from the host, refer to the command format table below.

SICM\_S\_0000\_00\_NC\_1,1\_↵

**Table 4-5 Command Format**

No	item	Description	type	value	value description	remarks		
1	Command	Command string	string	SICM				
2	HandShake Select	Sequence execution system	string	S				
3	Model ID	Not used	string	0000		Not used		
4	Device ID	Not used	string	00		Not used		
5	Continue Select	Divided message system	string	NC	No divided message			
6	Parameter	Parameter						
			Input Channel Select	Input channel select	string	0 to 5	Input channel 1 to 6	
						10	Input ST	
			Mute	Mute status	string	0	Not muted	
1	Muted							
7	End Character	Message end character	binary	0x0d	CR			

[2] ACK/NAK

See Factory Default Setting Request [2].

#### 4.2.4 Input CH Mute Status Acquisition Request

After receiving the Input CH Mute Status Acquisition Request, the ATDM-0604a sends the input CH mute status to the host via Answer.

[1] Get Command

In case of the Input CH Mute Status Acquisition Request from the host, refer to the command format table below.

GICM\_O\_0000\_00\_NC\_1\_↓

**Table 4-6 Command Format**

No	item	Description	type	value	value description	remarks
1	Command	Command string	string	GICM		
2	HandShake Select	Sequence execution system	string	O		
3	Model ID	Not used	string	0000		Not used
4	Device ID	Not used	string	00		Not used
5	Continue Select	Divided message system	string	NC	No divided message	
6	Parameter	Parameter	-	-	No parameter	
	Input Channel Select	Input channel select	string	0 to 5 10	Input channel 1 to 6 Input ST	
7	End Character	Message end character	binary	0x0d	CR	

[2] Answer

Refer to the table below for Answer Command format from the ATDM-0604a.

GICM\_0000\_00\_NC\_1,1\_↵

**Table 4-7 Answer Command Format**

No	item	Description	type	value	value description	remarks
1	Command	Command string	string	GICM		
2	Model ID	Not used	string	0000		Not used
3	Device ID	Device ID	string	00 to FF	Device ID	
4	Continue Select	Divided message system	string	NC	No divided message	
5	Parameter	Parameter	string			
	Input Channel Select	Input channel select	string	0 to 5	Input channel 1 to 6	
				10	Input ST	
	Mute	Mute status	string	0	Not muted	
1				Muted		
6	End Character	Message end character	binary	0x0d	CR	

#### 4.2.5 Output CH Level Change Request

After receiving the Output CH Level Change Request, the ATDM-0604a sends the processing results to the host via ACK or NAK.

[1] Set Command

In case of the Output CH Level Change Request from the host, refer to the command format table below.

SOCL\_S\_0000\_00\_NC\_8,511\_↵

**Table 4-8 Command Format**

No	Item	Description	type	value	value description	remarks
1	Command	Command string	string	SOCL		
2	HandShake Select	Sequence execution system	string	S		
3	Model ID	Not used	string	0000		Not used
4	Device ID	Not used	string	00		Not used
5	Continue Select	Divided message system	string	NC	No divided message	
6	Parameter	Parameter				
	Output Channel Select	Output channel select	string	0 to 1	Output channel 1 to 2	
				8 or 10	Output ST	
Level	Level	string	0 to 511	-∞, -120 to +10dB	See 6.1 Fader Table.	
7	End Character	Message end character	binary	0x0d	CR	

[2] ACK/NAK

See Factory Default Setting Request [2].

#### 4.2.6 Output CH Level Acquisition Request

After receiving the Output CH Level Acquisition Request, the ATDM-0604a sends the output CH level to the host via Answer.

[1] Get Command

In case of the Output CH Level Acquisition Request from the host, refer to the command format table below.

GOCL\_O\_0000\_00\_NC\_8\_↓

**Table 4-9 Command Format**

No	item	Description	type	value	value description	remarks
1	Command	Command string	string	GOCL		
2	HandShake Select	Sequence execution system	string	O		
3	Model ID	Not used	string	0000		Not used
4	Device ID	Not used	string	00		Not used
5	Continue Select	Divided message system	string	NC	No divided message	
6	Parameter Output Channel Select	Parameter Output channel select	-	-	No parameter	
				0 to 1	Output channel 1 to 2	
				8 or 10	Output ST	
7	End Character	Message end character	binary	0x0d	CR	

[2] Answer

Refer to the table below for Answer Command format from the ATDM-0604a.

GOCL\_0000\_00\_NC\_8,511\_↵

**Table 4-10 Answer Command Format**

No	item	Description	type	value	value description	remarks
1	Command	Command string	string	GOCL		
2	Model ID	Not used	string	0000		Not used
3	Device ID	Device ID	string	00 to FF	Device ID	
4	Continue Select	Divided message system	string	NC	No divided message	
5	Parameter	Parameter	string			
	Output Channel Select	Output channel select	string	0 to 1 8 or 10	Output channel 1 to 2 Output ST	
	Level	Level	string	0 to 511	-∞, -120 to +10dB	See 6.1 Fader Table.
6	End Character	Message end character	binary	0x0d	CR	



#### 4.2.7 Output CH Mute Status Change Request

After receiving the Output CH Mute Status Change Request, the ATDM-0604a sends the processing results to the host via ACK or NAK.

[1] Set Command

In case of the Input CH Mute Status Change Request from the host, refer to the command format table below.

SOCM\_S\_0000\_00\_NC\_10,1↵

**Table 4-11 Command Format**

No	item	Description	type	value	value description	remarks
1	Command	Command string	string	SOCM		
2	HandShake Select	Sequence execution system	string	S		
3	Model ID	Not used	string	0000		Not used
4	Device ID	Not used	string	00		Not used
5	Continue Select	Divided message system	string	NC	No divided message	
6	Parameter	Parameter				
	Output Channel Select	Output channel select	string	0 to 1 8 or 10	Output channel 1 to 2 Output ST	
	Mute	Mute status	string	0 1	Not muted Muted	
7	End Character	Message end character	binary	0x0d	CR	

[2] ACK/NAK

See Factory Default Setting Request [2].

#### 4.2.8 Output CH Mute Status Acquisition Request

After receiving the Output CH Mute Status Acquisition Request, the ATDM-0604a sends the output CH Mute status to the host via Answer.

[1] Get Command

In case of the Output CH Mute Status Acquisition Request from the host, refer to the command format table below.

GOCM\_O\_0000\_00\_NC\_10\_↵

**Table 4-12 Command Format**

No	item	Description	type	value	value description	remarks
1	Command	Command string	string	GOCM		
2	HandShake Select	Sequence execution system	string	O		
3	Model ID	Not used	string	0000		Not used
4	Device ID	Not used	string	00		Not used
5	Continue Select	Divided message system	string	NC	No divided message	
6	Parameter Output Channel Select	Parameter Output channel select	-	-	No parameter	
				0 to 1	Output channel 1 to 2	
				8 or 10	Output ST	
7	End Character	Message end character	binary	0x0d	CR	

[2] Answer

Refer to the table below for Answer Command format from the ATDM-0604a.

GOCM\_0000\_00\_NC\_10,1\_↵

**Table 4-13 Answer Command Format**

No	item	Description	type	value	value description	remarks
1	Command	Command string	string	GOCM		
2	Model ID	Not used	string	0000		Not used
3	Device ID	Device ID	string	00 to FF	Device ID	
4	Continue Select	Divided message system	string	NC	No divided message	
5	Parameter	Parameter	string			
	Output Channel Select	Output channel select	string	0 to 1	Output channel 1 to 2	
				8 or 10	Output ST	
	Mute	Mute status	string	0	Not muted	
1				Muted		
6	End Character	Message end character	binary	0x0d	CR	

#### 4.2.9 Bus Assign Change Request

After receiving the Bus Assign Change Request, the ATDM-0604a sends the processing results to the host via ACK or NAK.

[1] Set Command

In case of the Bus Assign Change Request from the host, refer to the command format table below.

SBUS\_S\_0000\_00\_NC\_1,1,2,411\_↓

**Table 4-14 Command Format**

No	item	Description	type	value	value description	remarks
1	Command	Command string	string	SBUS		
2	HandShake Select	Sequence execution system	string	S		
3	Model ID	Not used	string	0000		Not used
4	Device ID	Not used	string	00		Not used
5	Continue Select	Divided message system	string	NC	No divided message	
6	Parameter	Parameter				
	Input Channel Select	Input channel select	string	0 to 5 10	Input channel 1 to 6 Input ST	
	Bus Channel	Bus channel	string	1 to 3	Bus channel	BUS 1, BUS 2, BUS ST
	Bus Assign	Bus assignment	string	0 1 2	Off Smart Mix Pre Assign Smart Mix Post Assign	
	Level	Level	string	0 to 411	-∞, -120 to 0dB	See 6.1 Fader Table.
7	End Character	Message end character	binary	0x0d	CR	

[2] ACK/NAK

See Factory Default Setting Request [2].

#### 4.2.10 Bus Assign Acquisition Request

After receiving the Bus Assign Acquisition Request, the ATDM-0604a sends the bus assignment settings to the host via Answer.

[1] Get Command

In case of the Bus Assign Acquisition Request from the host, refer to the command format table below.

GBUS\_O\_0000\_00\_NC\_1,3\_↵

**Table 4-15 Command Format**

No	item	Description	type	value	value description	remarks
1	Command	Command string	string	GBUS		
2	HandShake Select	Sequence execution system	string	O		
3	Model ID	Not used	string	0000		Not used
4	Device ID	Not used	string	00		Not used
5	Continue Select	Divided message system	string	NC	No divided message	
6	Parameter	Parameter	-	-	No parameter	
	Input Channel Select	Input channel select	string	0 to 5 10	Input channel 1 to 6 Input ST	
	Bus Channel	Bus channel	string	1 to 3	Bus channel	BUS 1, BUS 2, BUS ST
7	End Character	Message end character	binary	0x0d	CR	

[2] Answer

Refer to the table below for Answer Command format from the ATDM-0604a.

GBUS\_0000\_00\_NC\_1,3,2,411\_↓

**Table 4-16 Answer Command Format**

No	Item	Description	type	value	value description	remarks
1	Command	Command string	string	GBUS		
2	Model ID	Not used	string	0000		Not used
3	Device ID	Device ID	string	00 to FF	Device ID	
4	Continue Select	Divided message system	string	NC	No divided message	
5	Parameter	Parameter	string			
	Input Channel Select	Input channel select	string	0 to 5	Input channel 1 to 6	
				10	Input ST1	
	Bus Channel	Bus channel	string	1 to 3	Bus channel	BUS 1, BUS 2, BUS ST
	Bus Assign	Bus assignment	string	0	Off	
				1	Smart Mix Pre Assign	
2				Smart Mix Post Assign		
Level	Level	string	0 to 411	-∞, -120 to 0dB	See 6.1 Fader Table.	
6	End Character	Message end character	binary	0x0d	CR	

#### 4.2.11 Operator Fader Level Change Request

After receiving the Operator Fader Level Change Request, the ATDM-0604a sends the processing results to the host via ACK or NAK.

[1] Set Command

In case of the Operator Fader Level Change Request from the host, refer to the command format table below.

SOPL\_S\_0000\_00\_NC\_8,100\_↵

**Table 4-17 Command Format**

No	item	Description	type	value	value description	remarks
1	Command	Command string	string	SOPL		
2	HandShake Select	Sequence execution system	string	S		
3	Model ID	Not used	string	0000		Not used
4	Device ID	Not used	string	00		Not used
5	Continue Select	Divided message system	string	NC	No divided message	
6	Parameter	Parameter				
	Operator Fader No	Operator fader number	string	1 to 8	Operator fader 1 to 8	
	Level	Level	string	0 to 100	Level	
7	End Character	Message end character	binary	0x0d	CR	

[2] ACK/NAK

See Factory Default Setting Request [2].

#### 4.2.12 Operator Fader Level Acquisition Request

After receiving the Operator Fader Level Acquisition Request, the ATDM-0604a sends the fader level to the host via Answer.

[1] Get Command

In case of the Operator Fader Level Acquisition Request from the host, refer to the command format table below.

GOPL\_O\_0000\_00\_NC\_8\_↓

**Table 4-18 Command Format**

No	item	Description	type	value	value description	remarks
1	Command	Command string	string	GOPL		
2	HandShake Select	Sequence execution system	string	O		
3	Model ID	Not used	string	0000		Not used
4	Device ID	Not used	string	00		Not used
5	Continue Select	Divided message system	string	NC	No divided message	
6	Parameter	Parameter	-	-	No parameter	
	Operator Fader No	Operator fader number	string	1 to 8	Operator fader 1 to 8	
7	End Character	Message end character	binary	0x0d	CR	



[2] Answer

Refer to the table below for Answer Command format from the ATDM-0604a.

GOPL\_0000\_00\_NC\_8,100\_↵

**Table 4-19 Answer Command Format**

No	item	Description	type	value	value description	remarks
1	Command	Command string	string	GOPL		
2	Model ID	Not used	string	0000		Not used
3	Device ID	Device ID	string	00 to FF	Device ID	
4	Continue Select	Divided message system	string	NC	No divided message	
5	Parameter	Parameter	string			
	Operator Fader No	Operator fader number	string	1 to 8	Operator fader 1 to 8	
	Level	Level	string	0 to 100	Level	
6	End Character	Message end character	binary	0x0d	CR	

### 4.2.13 Operator Fader Mute Status Change Request

After receiving the Operator Fader Mute Status Change Request, the ATDM-0604a sends the processing results to the host via ACK or NAK.

[1] Set Command

In case of the Operator Fader Mute Status Change Request from the host, refer to the command format table below.

SOPM\_S\_0000\_00\_NC\_8,1\_↵

**Table 4-20 Command Format**

No	item	Description	type	value	value description	remarks
1	Command	Command string	string	SOPM		
2	HandShake Select	Sequence execution system	string	S		
3	Model ID	Not used	string	0000		Not used
4	Device ID	Not used	string	00		Not used
5	Continue Select	Divided message system	string	NC	No divided message	
6	Parameter	Parameter				
	Operator Fader No	Operator fader number	string	1 to 8	Operator fader 1 to 8	
	Mute	Mute status	string	0	Not muted	
				1	Muted	
7	End Character	Message end character	binary	0x0d	CR	

[2] ACK/NAK

See Factory Default Setting Request [2].

#### 4.2.14 Operator Fader Mute Status Acquisition Request

After receiving the Operator Fader Mute Status Acquisition Request, the ATDM-0604a sends the input CH mute status to the host via Answer.

[1] Get Command

In case of the Operator Fader Mute Status Acquisition Request from the host, refer to the command format table below.

GOPM\_O\_0000\_00\_NC\_8\_↵

**Table 4-21 Command Format**

No	Item	Description	type	value	value description	remarks
1	Command	Command string	string	GOPM		
2	HandShake Select	Sequence execution system	string	O		
3	Model ID	Not used	string	0000		Not used
4	Device ID	Not used	string	00		Not used
5	Continue Select	Divided message system	string	NC	No divided message	
6	Parameter	Parameter	-	-	No parameter	
	Operator Fader No	Operator fader number	string	1 to 8	Operator fader 1 to 8	
7	End Character	Message end character	binary	0x0d	CR	

[2] Answer

Refer to the table below for Answer Command format from the ATDM-0604a.

GOPM\_0000\_00\_NC\_8,1\_↵

**Table 4-22 Answer Command Format**

No	item	Description	type	value	value description	remarks
1	Command	Command string	string	GOPM		
2	Model ID	Not used	string	0000		Not used
3	Device ID	Device ID	string	00 to FF	Device ID	
4	Continue Select	Divided message system	string	NC	No divided message	
5	Parameter	Parameter	string			
	Operator Fader No	Operator fader number	string	1 to 8	Operator fader 1 to 8	
	Mute	Mute status	string	0	Not muted	
1				Muted		
6	End Character	Message end character	binary	0x0d	CR	

#### 4.2.15 SmartMix Mode Change Request

After receiving the SmartMix Mode Change Request, the ATDM-0604a sends the processing results to the host via ACK or NAK.

[1] Set Command

In case of the SmartMix Mode Change Request from the host, refer to the command format table below.

SSMM\_S\_0000\_00\_NC\_1,2\_↓

**Table 4-23 Command Format**

No	item	Description	type	value	value description	remarks
1	Command	Command string	string	SSMM		
2	HandShake Select	Sequence execution system	string	S		
3	Model ID	Not used	string	0000		Not used
4	Device ID	Not used	string	00		Not used
5	Continue Select	Divided message system	string	NC	No divided message	
6	Parameter	Parameter				
	Group	Group number	string	1	SmartMix Group 1	Fixed to 1.
	Mode	SmartMix mode	string	0	Off	
				1	Gate	
			2	Gain Share		
7	End Character	Message end character	binary	0x0d	CR	

[2] ACK/NAK

See Factory Default Setting Request [2].

#### 4.2.16 SmartMix Mode Acquisition Request

After receiving the SmartMix Mode Acquisition Request, the ATDM-0604a sends the SmartMix mode to the host via Answer.

[1] Get Command

In case of the SmartMix Mode Acquisition Request from the host, refer to the command format table below.

GSMM\_O\_0000\_00\_NC\_1\_↓

**Table 4-24 Command Format**

No	item	Description	type	value	value description	remarks
1	Command	Command string	string	GSMM		
2	HandShake Select	Sequence execution system	string	O		
3	Model ID	Not used	string	0000		Not used
4	Device ID	Not used	string	00		Not used
5	Continue Select	Divided message system	string	NC	No divided message	
6	Parameter	Parameter				
7	Group	Group number	string	1	SmartMix Group 1	Fixed to 1.
8	End Character	Message end character	binary	0x0d	CR	

[2] Answer

Refer to the table below for Answer Command format from the ATDM-0604a.

GSMM\_0000\_00\_NC\_1,2\_↵

**Table 4-25 Answer Command Format**

No	item	Description	type	value	value description	remarks
1	Command	Command string	string	GSMM		
2	Model ID	Not used	string	0000		Not used
3	Device ID	Device ID	string	00 to FF	Device ID	
4	Continue Select	Divided message system	string	NC	No divided message	
5	Parameter	Parameter	string			
	Group	Group number	string	1	SmartMix Group 1	Fixed to 1.
	Mode	SmartMix mode	string	0	Off	
				1	Gate	
			2	Gain Share		
6	End Character	Message end character	binary	0x0d	CR	

#### 4.2.17 Number Of Open Microphones Change Request

After receiving the Number Of Open Microphones Change Request, the ATDM-0604a sends the processing results to the host via ACK or NAK.

[1] Set Command

In case of the Number Of Open Microphones Change Request from the host, refer to the command format table below.

NOOM\_S\_0000\_00\_NC\_1,10\_↓

**Table 4-26 Command Format**

No	item	Description	type	value	value description	remarks
1	Command	Command string	string	NOOM		
2	HandShake Select	Sequence execution system	string	S		
3	Model ID	Not used	string	0000		Not used
4	Device ID	Not used	string	00		Not used
5	Continue Select	Divided message system	string	NC	No divided message	
6	Parameter	Parameter				
	Group	Group number	string	1	SmartMix Group 1	Fixed to 1.
	NOM	Number of open microphones	string	1 to 10	Number of open microphones	
7	End Character	Message end character	binary	0x0d	CR	

[2] ACK/NAK

See Factory Default Setting Request [2].



#### 4.2.18 Number Of Open Microphones Acquisition Request

After receiving the Number Of Open Microphones Acquisition Request, the ATDM-0604a sends the input CH mute status to the host via Answer.

[1] Get Command

In case of the Number Of Open Microphones Acquisition Request from the host, refer to the command format table below.

GNOOM\_O\_0000\_00\_NC\_1\_↓

**Table 4-27 Command Format**

No	item	Description	type	value	value description	remarks
1	Command	Command string	string	GSMM		
2	HandShake Select	Sequence execution system	string	O		
3	Model ID	Not used	string	0000		Not used
4	Device ID	Not used	string	00		Not used
5	Continue Select	Divided message system	string	NC	No divided message	
6	Parameter	Parameter				
7	Group	Group number	string	1	SmartMix Group 1	Fixed to 1.
8	End Character	Message end character	binary	0x0d	CR	

[2] Answer

Refer to the table below for Answer Command format from the ATDM-0604a.

GNOOM\_0000\_00\_NC\_1,10\_↵

**Table 4-28 Answer Command Format**

No	item	Description	type	value	value description	remarks
1	Command	Command string	string	GNOOM		
2	Model ID	Not used	string	0000		Not used
3	Device ID	Device ID	string	00 to FF	Device ID	
4	Continue Select	Divided message system	string	NC	No divided message	
5	Parameter	Parameter	string			
	Group	Group number	string	1	SmartMix Group 1	Fixed to 1.
	NOM	Number of open microphones	string	1 to 10	Number of open microphones	
6	End Character	Message end character	binary	0x0d	CR	

#### 4.2.19 Preset Call Request

After receiving the Preset Call Request, the ATDM-0604a sends the processing results to the host via ACK or NAK.

[1] Set Command

In case of the Preset Call Request from the host, refer to the command format table below.

CALLP\_S\_0000\_00\_NC\_6\_↵

**Table 4-29 Command Format**

No	item	Description	type	value	value description	remarks
1	Command	Command string	string	CALLP		
2	HandShake Select	Sequence execution system	string	S		
3	Model ID	Not used	string	0000		Not used
4	Device ID	Not used	string	00		Not used
5	Continue Select	Divided message system	string	NC	No divided message	
6	Parameter	Parameter				
	Bank Number	Bank number	string	1 to 6	Bank 1 to 6	
7	End Character	Message end character	binary	0x0d	CR	

[2] ACK/NAK

See Factory Default Setting Request [2].

#### 4.2.20 Preset Save Request

After receiving the Preset Save Request, the ATDM-0604a sends the processing results to the host via ACK or NAK.

[1] Set Command

In case of the Preset Save Request from the host, refer to the command format table below.

REGIP\_S\_0000\_00\_NC\_1\_↵

**Table 4-30 Command Format**

No	item	Description	type	value	value description	remarks
1	Command	Command string	string	REGIP		
2	HandShake Select	Sequence execution system	string	S		
3	Model ID	Not used	string	0000		Not used
4	Device ID	Not used	string	00		Not used
5	Continue Select	Divided message system	string	NC	No divided message	
6	Parameter	Parameter				
	Bank Number	Bank number	string	1 to 6	Bank 1 to 6	
7	End Character	Message end character	binary	0x0d	CR	

[2] ACK/NAK

See Factory Default Setting Request [2].

#### 4.2.21 Partial Preset Call Request

After receiving the Partial Preset Call Request, the ATDM-0604a sends the processing results to the host via ACK or NAK.

[1] Set Command

In case of the Partial Preset Call Request from the host, refer to the command format table below.

CALLPP\_S\_0000\_00\_NC\_40\_↓

**Table 4-31 Command Format**

No	item	Description	type	value	value description	remarks
1	Command	Command string	string	CALLPP		
2	HandShake Select	Sequence execution system	string	S		
3	Model ID	Not used	string	0000		Not used
4	Device ID	Not used	string	00		Not used
5	Continue Select	Divided message system	string	NC	No divided message	
6	Parameter	Parameter				
	Partial Preset Number	Partial preset number	string	1 to 40	Partial preset number	
7	End Character	Message end character	binary	0x0d	CR	

[2] ACK/NAK

See Factory Default Setting Request [2].

### 4.3 Input Command Details

#### 4.3.1 Input Gain/Level Setting Change Request

After receiving the Input Gain/Level Setting Change Request, the ATDM-0604a sends the processing results to the host via ACK or NAK.

[1] Set Command

In case of the Input Gain/Level Setting Change Request from the host, refer to the command format table below.

s\_input\_gain\_level\_S\_0000\_00\_NC\_10,40,40,511,1,511,1,40,1,511\_↓

**Table 4-32 Command Format**

No	item	Description	type	value	value description	remarks	
1	Command	Command string	string	s_input_gain_level			
2	HandShake Select	Sequence execution system	string	S			
3	Model ID	Not used	string	0000		Not used	
4	Device ID	Not used	string	00		Not used	
5	Continue Select	Divided message system	string	NC	No divided message		
6	Parameter	Parameter					
	Input Channel Select	Input channel select	string	0 to 5 10	Input channel 1 to 6 Input ST		
	gain					Sub-inputs are not applicable.	
	Mic	Microphone gain	string	0 to 40	+20db to +60db	See 6.5 Input Gain Table.	
	Line	Line gain	string	0 to 40	-20dBu to -60dBu	See 6.5 Input Gain Table.	
	Level	Level	string	0 to 511	-120 to +10db	See 6.1 Fader Table.	
	Max Volume						
	Enable	On/Off	string	0 1	Off On		
	Value	Volume	string	0 to 511	-120 to +10db	See 6.1 Fader Table.	
	Mute	Mute status	string	0	Not muted		
				1	Muted		
	gain					Sub-inputs are not applicable.	
	Virtual Mic	Virtual microphone gain	string	0 to 40	-20dBu to -60dBu	See 6.5 Input Gain	

No	item	Description	type	value	value description	remarks
						Table.
		Min Volume				
		Enable	On/Off	string	0	Off
					1	On
		Value	Volume	string	0 to 511	-120 to +10db
						See 6.1 Fader Table.
7	End Character	Message end character	binary	0x0d	CR	

[2] ACK/NAK

See Factory Default Setting Request [2].

### 4.3.2 Input Gain/Level Setting Acquisition Request

After receiving the Input Gain/Level Setting Acquisition Request, the ATDM-0604a sends the input settings to the host via Answer.

[1] Get Command

In case of the Input Gain/Level Setting Acquisition Request from the host, refer to the command format table below.

g\_input\_gain\_level\_O\_0000\_00\_NC\_10\_↓

**Table 4-33 Command Format**

No	item	Description	type	value	value description	remarks
1	Command	Command string	string	g_input_gain_level		
2	HandShake Select	Sequence execution system	string	O		
3	Model ID	Not used	string	0000		Not used
4	Device ID	Not used	string	00		Not used
5	Continue Select	Divided message system	string	NC	No divided message	
6	Parameter	Parameter				
	Input Channel Select	Input channel select	string	0 to 5 10	Input channel 1 to 6 Input ST	
7	End Character	Message end character	binary	0x0d	CR	



[2] Answer

Refer to the table below for Answer Command format from the ATDM-0604a.

g\_input\_gain\_level\_0000\_00\_NC\_10,40,40,511,1,511,1,40,1,511\_↓

**Table 4-34 Answer Command Format**

No	item	Description	type	value	value description	remarks	
1	Command	Command string	string	g_input_gain_level			
2	Model ID	Not used	string	0000		Not used	
3	Device ID	Device ID	string	00 to FF	Device ID		
4	Continue Select	Divided message system	string	NC	No divided message		
5	Parameter	Parameter					
	Input Channel Select	Input channel select	string	0 to 5 10	Input channel 1 to 6 Input ST		
	gain					Sub-inputs are not applicable.	
	Mic	Microphone gain	string	0 to 40	+20db to +60db	See 6.5 Input Gain Table.	
	Line	Line gain	string	0 to 40	-20dBu to -60dBu	See 6.5 Input Gain Table.	
	Level	Level	string	0 to 511	-120 to +10db	See 6.1 Fader Table.	
	Max Volume						
	Enable	On/Off	string	0 1	Off On		
	Value	Volume	string	0 to 511	-120 to +10db	See 6.1 Fader Table.	
	Mute	Mute status	string	0 1	Not muted Muted		
	gain					Sub-inputs are not applicable.	
	Virtual Mic	Virtual microphone gain	string	0 to 40	-20dBu to -60dBu	See 6.5 Input Gain Table.	
	Min Volume						
	Enable	On/Off	string	0 1	Off On		
	Value	Volume	string	0 to 511	-120 to +10db	See 6.1 Fader Table.	
	6	End Character	Message end character	binary	0x0d	CR	

### 4.3.3 Input Channel Setting Change Request

After receiving the Input Channel Setting Change Request, the ATDM-0604a sends the processing results to the host via ACK or NAK.

[1] Set Command

In case of the Input Channel Setting Change Request from the host, refer to the command format table below.

s\_input\_channel\_settings\_S\_0000\_00\_NC\_

10,6,1,1,1,1,1,0, 0,411,1,411,2,411,"ST",7,330,45,2,,8,1\_↓

**Table 4-35 Command Format**

No	item	Description	type	value	value description	remarks
1	Command	Command string	string	s_input_channel_settings		
2	HandShake Select	Sequence execution system	string	S		
3	Model ID	Not used	string	0000		Not used
4	Device ID	Not used	string	00		Not used
5	Continue Select	Divided message system	string	NC	No divided message	
6	Parameter	Parameter				
	Input Channel Select	Input channel select	string	0 to 5	Input channel 1 to 6	
				10	Input ST	
	source	Input source	string	0	Mic	
				1	Line +4dBu	
				2	Line 0dBV	
				3	Line -10dBV	
				4	Line -20dBV	
				5	USB	
				6	Virtual Mic	
	Phantom power	Phantom power	string	0	Off	
				1	On	
	Phase	Phase	string	0	Normal	
				1	Invert	
	Low cut	Low cut	string	0	Off	
1				On		

No	item	Description	type	value	value description	remarks	
	AEC	AEC	string	0	Off		
				1	On		
	Smart Mix	Smart Mix	string	0	Off		
				1	On		
	Link	Link	string	0	Unlink		
				1	Link		
	Output Bus						
	Bus1	Assign	string	0	Off		
				1	Pre		
				2	Post(Smart Mix Bus)		
	Bus2	Assign	string	0	Off		
				1	Pre		
				2	Post(Smart Mix Bus)		
	Reserved	Reserve	string	0	Fixed to "0."	Not used	
			string	0	Fixed to "0."	Not used	
			string	0	Fixed to "0."	Not used	
			string	0	Fixed to "0."	Not used	
			string	0	Fixed to "0."	Not used	
			string	0	Fixed to "0."	Not used	
			string	0	Fixed to "0."	Not used	
			string	0	Fixed to "0."	Not used	
	Bus ST	Assign	string	0	Off		
				1	Pre		
				2	Post(Smart Mix Bus)		
	Name	Channel name	char	"	Beginning of character string		
			string	ASCII code	Name	To contain double quotation marks ("), specify them in succession like "".	
			char	"	End of character string		
Color	Channel color	string	0	Green			

No	item	Description	type	value	value description	remarks	
				1	Yellow		
				2	Brown		
				3	Red		
				4	Pink		
				5	Blue		
				6	Gray		
				7	DarkGray		
	Virtual Mic						
		Orientation	Orientation	string	0 to 330	0 degrees to 330 degrees	Set in 30-degree increments.
		Tilt	Tilt	string	0	0degree	
					45	45degree	
		Pattern	Pattern	string	0	Wide	
					1	Normal	
					2	Omni	
		Placement	Placement	string			Not used
		Fader Group	Fader Group	string	0	None	
					1	Group A	
					2	Group B	
					3	Group C	
					4	Group D	
					5	Group E	
					6	Group F	
					7	Group G	
	Mono	Mono	string	0	Off	ST1/ST2 input only.	
				1	On		
7	End Character	Message end character	binary	0x0d	CR		

[2] ACK/NAK

See Factory Default Setting Request [2].

#### 4.3.4 Input Channel Setting Acquisition Request

After receiving the Input Channel Setting Acquisition Request, the ATDM-0604a sends the input settings to the host via Answer.

[1] Get Command

In case of the Input Channel Setting Acquisition Request from the host, refer to the command format table below.

g\_input\_channel\_settings\_O\_0000\_00\_NC\_10\_↵

**Table 4-36 Command Format**

No	item	Description	type	value	value description	remarks
1	Command	Command string	string	g_input_channel_settings		
2	HandShake Select	Sequence execution system	string	O		
3	Model ID	Not used	string	0000		Not used
4	Device ID	Not used	string	00		Not used
5	Continue Select	Divided message system	string	NC	No divided message	
6	Parameter Input Channel Select	Parameter Input channel select	string	0 to 5	Input channel 1 to 6	
				10	Input ST	
7	End Character	Message end character	binary	0x0d	CR	

[2] Answer

Refer to the table below for Answer Command format from the ATDM-0604a.

g\_input\_channel\_settings\_0000\_00\_NC\_

10,6,1,1,1,1,1,0, 0,411,1,411,2,411,"ST",7,330,45,2,,8,1\_↓

**Table 4-37 Answer Command Format**

No	Item	Description	type	value	value description	remarks
1	Command	Command string	string	g_input_channel_settings		
2	Model ID	Not used	string	0000		Not used
3	Device ID	Device ID	string	00 to FF	Device ID	
4	Continue Select	Divided message system	string	NC	No divided message	
5	Parameter	Parameter				
	Input Channel Select	Input channel select	string	0 to 5	Input channel 1 to 6	
				10	Input ST	
	source	Input source	string	0	Mic	
				1	Line +4dBu	
				2	Line 0dBV	
				3	Line -10dBV	
				4	Line -20dBV	
				5	USB	
				6	Virtual Mic	
	Phantom power	Phantom power	string	0	Off	
				1	On	
	Phase	Phase	string	0	Normal	
				1	Invert	
	Low cut	Low cut	string	0	Off	
				1	On	
	AEC	AEC	string	0	Off	
				1	On	
	Smart Mix	Smart Mix	string	0	Off	
				1	On	

No	Item	Description	type	value	value description	remarks
	Link	Link	string	0	Unlink	
				1	Link	
	Output Bus					
	Bus1	Assign	string	0	Off	
				1	Pre	
				2	Post(Smart Mix Bus)	
	Bus2	Assign	string	0	Off	
				1	Pre	
				2	Post(Smart Mix Bus)	
	Reserved	Reserve	string	0	Fixed to "0."	Not used
			string	0	Fixed to "0."	Not used
			string	0	Fixed to "0."	Not used
			string	0	Fixed to "0."	Not used
			string	0	Fixed to "0."	Not used
			string	0	Fixed to "0."	Not used
			string	0	Fixed to "0."	Not used
			string	0	Fixed to "0."	Not used
	Bus ST	Assign	string	0	Off	
				1	Pre	
				2	Post(Smart Mix Bus)	
	Name	Channel name	char	"	Beginning of character string	
			string	ASCII code	Name	To contain double quotation marks ("), specify them in succession like "".
			char	"	End of character string	
	Color	Channel color	string	0	Green	
				1	Yellow	
				2	Brown	
				3	Red	
				4	Pink	
				5	Blue	
				6	Gray	

No	Item	Description	type	value	value description	remarks
				7	DarkGray	
	Virtual Mic					
	Orientation	Orientation	string	0 to 330	0 degrees to 330 degrees	Set in 30-degree increments.
	Tilt	Tilt	string	0	0degree	
				45	45degree	
	Pattern	Pattern	string	0	Wide	
				1	Normal	
				2	Omni	
	Placement	Placement	string			Not used
	Fader Group	Fader Group	string	0	None	
				1	Group A	
				2	Group B	
				3	Group C	
				4	Group D	
				5	Group E	
				6	Group F	
				7	Group G	
				8	Group H	
	Mono	Mono	string	0	Off	
				1	On	
6	End Character	Message end character	binary	0x0d	CR	



### 4.3.5EQ Input Setting Change Request

After receiving the EQ Input Setting Change Request, the ATDM-0604a sends the processing results to the host via ACK or NAK.

[1] Set Command

In case of the EQ Input Setting Change Request from the host, refer to the command format table below.

s\_input\_eq\_S\_0000\_00\_NC\_

0,1,1,2,480,72,31,1,480,72,31,1,480,72,31,1,2,480,72,31,1\_↓

**Table 4-38 Command Format**

No	item	Description	type	value	value description	remarks	
1	Command	Command string	string	s_input_eq			
2	HandShake Select	Sequence execution system	string	S			
3	Model ID	Not used	string	0000		Not used	
4	Device ID	Not used	string	00		Not used	
5	Continue Select	Divided message system	string	NC	No divided message		
6	Parameter	Parameter					
	Input Channel Select	Input channel select	string	0 to 5	Input channel 1 to 6		
				10	Input ST		
	EQ On/Off	Turn on or off the entire EQ CH.	string	0	Off		
				1	On		
	Band1						
	Band Enable	Enable	string	0	Off		
				1	On		
	Filter Type	Filter type	string	0	LPF/HPF		
				1	LSH/HSH		
				2	PEQ		
	Frequency	Frequency	string	0 to 480	20Hz to 20kHz	See 6.2 Frequency Table.	
	Gain	Gain	string	0 to 72	-18dB to +18dB	See 6.4 EQ Gain Table.	
	Q Value	Q value	string	0 to 31	0.3 to 60	See 6.3 Q Value Table.	
	Band2						
	Band Enable	Enable	string	0	Off		

No	item	Description	type	value	value description	remarks
				1	On	
	Frequency	Frequency	string	0 to 480	20Hz to 20kHz	
	Gain	Gain	string	0 to 72	-18dB to +18dB	
	Q Value	Q value	string	0 to 31	0.3 to 60	
	Band3					
	Band Enable	Enable	string	0	Off	
				1	On	
	Frequency	Frequency	string	0 to 480	20Hz to 20kHz	
	Gain	Gain	string	0 to 72	-18dB to +18dB	
	Q Value	Q value	string	0 to 31	0.3 to 60	
	Band4					
	Band Enable	Enable	string	0	Off	
				1	On	
	Filter Type	Filter type	string	0	LPF/HPF	
				1	LSH/HSH	
				2	PEQ	
	Frequency	Frequency	string	0 to 480	20Hz to 20kHz	
	Gain	Gain	string	0 to 72	-18dB to +18dB	
	Q Value	Q value	string	0 to 31	0.3 to 60	
	EQ Mode	EQ mode	string	0	Easy Mode	
				1	Expert Mode	
7	End Character	Message end character	binary	0x0d	CR	

[2] ACK/NAK

See Factory Default Setting Request [2].

### 4.3.6EQ Input Setting Acquisition Request

After receiving the EQ Input Setting Acquisition Request, the ATDM-0604a sends the input settings to the host via Answer.

[1] Get Command

In case of the EQ Input Setting Acquisition Request from the host, refer to the command format table below.

g\_input\_eq O 0000 00 NC 0 ↵

**Table 4-39 Command Format**

No	item	Description	type	value	value description	remarks
1	Command	Command string	string	g_input_eq		
2	HandShake Select	Sequence execution system	string	O		
3	Model ID	Not used	string	0000		Not used
4	Device ID	Not used	string	00		Not used
5	Continue Select	Divided message system	string	NC	No divided message	
6	Parameter	Parameter				
	Input Channel Select	Input channel select	string	0 to 5 10	Input channel 1 to 6 Input ST	
7	End Character	Message end character	binary	0x0d	CR	

[2] Answer

Refer to the table below for Answer Command format from the ATDM-0604a.

g\_input\_eq\_0000\_00\_NC\_0,1,1,2,480,72,31,1,480,72,31,1,480,72,31,1,2,480,72,31,1\_↓

**Table 4-40 Answer Command Format**

No	item	Description	type	value	value description	remarks	
1	Command	Command string	string	g_input_eq			
2	Model ID	Not used	string	0000		Not used	
3	Device ID	Device ID	string	00 to FF	Device ID		
4	Continue Select	Divided message system	string	NC	No divided message		
5	Parameter	Parameter					
	Input Channel Select	Input channel select	string	0 to 5	Input channel 1 to 6		
				10	Input ST		
	EQ On/Off	Turn on or off the entire EQ CH.	string	0	Off		
				1	On		
	<b>Band1</b>						
	Band Enable	Enable	string	0	Off		
				1	On		
	Filter Type	Filter type	string	0	LPF/HPF		
				1	LSH/HSB		
				2	PEQ		
	Frequency	Frequency	string	0 to 480	20Hz to 20kHz	See 6.2 Frequency Table.	
	Gain	Gain	string	0 to 72	-18dB to +18dB	See 6.4 EQ Gain Table.	
	Q Value	Q value	string	0 to 31	0.3 to 60	See 6.3 Q Value Table.	
	<b>Band2</b>						
	Band Enable	Enable	string	0	Off		
				1	On		
	Frequency	Frequency	string	0 to 480	20Hz to 20kHz	See 6.2 Frequency Table.	
	Gain	Gain	string	0 to 72	-18dB to +18dB	See 6.4 EQ Gain Table.	
	Q Value	Q value	string	0 to 31	0.3 to 60	See 6.3 Q Value Table.	
	<b>Band3</b>						
	Band Enable	Enable	string	0	Off		

No	item	Description	type	value	value description	remarks
				1	On	
		Frequency	string	0 to 480	20Hz to 20kHz	
		Gain	string	0 to 72	-18dB to +18dB	
		Q Value	string	0 to 31	0.3 to 60	
	Band4					
		Band Enable	string	0	Off	
				1	On	
		Filter Type	string	0	LPF/HPF	
				1	LSH/HSH	
				2	PEQ	
		Frequency	string	0 to 480	20Hz to 20kHz	
		Gain	string	0 to 72	-18dB to +18dB	
		Q Value	string	0 to 31	0.3 to 60	
		EQ Mode	string	0	Easy Mode	
				1	Expert Mode	
6	End Character	Message end character	binary	0x0d	CR	

### 4.3.7 FBS Common Setting Change Request

After receiving the FBS Common Setting Change Request, the ATDM-0604a sends the processing results to the host via ACK or NAK.

[1] Set Command

In case of the FBS Common Setting Change Request from the host, refer to the command format table below.

s\_fbs\_general\_S\_0000\_00\_NC\_2,1

**Table 4-41 Command Format**

No	item	Description	type	value	value description	remarks
1	Command	Command string	string	s_fbs_general		
2	HandShake Select	Sequence execution system	string	S		
3	Model ID	Not used	string	0000		Not used
4	Device ID	Not used	string	00		Not used
5	Continue Select	Divided message system	string	NC	No divided message	
6	Parameter	Parameter	string	0	Low	
				1	Mid	
				2	High	
	Response	Response	string	0	slow	
				1	fast	
7	End Character	Message end character	binary	0x0d	CR	

[2] ACK/NAK

See Factory Default Setting Request [2].

### 4.3.8 FBS Common Setting Acquisition Request

After receiving the FBS Common Setting Acquisition Request, the ATDM-0604a sends the FBS common settings to the host via Answer.

[1] Get Command

In case of the FBS Common Setting Acquisition Request from the host, refer to the command format table below.

g\_fbs\_general\_O\_0000\_00\_NC\_↓

**Table 4-42 Command Format**

No	item	Description	type	value	value description	remarks
1	Command	Command string	string	g_fbs_general		
2	HandShake Select	Sequence execution system	string	O		
3	Model ID	Not used	string	0000		Not used
4	Device ID	Not used	string	00		Not used
5	Continue Select	Divided message system	string	NC	No divided message	
6	Parameter	Parameter	-	-	No parameter	
7	End Character	Message end character	binary	0x0d	CR	

[2] Answer

Refer to the table below for Answer Command format from the ATDM-0604a.

g\_fbs\_general\_0000\_00\_NC\_2,1\_↵

**Table 4-43 Answer Command Format**

No	item	Description	type	value	value description	remarks
1	Command	Command string	string	g_fbs_general		
2	Model ID	Not used	string	0000		Not used
3	Device ID	Device ID	string	00 to FF	Device ID	
4	Continue Select	Divided message system	string	NC	No divided message	
5	Parameter	Parameter	string	0	Low	
				1	Mid	
				2	High	
	Response	Response	string	0	slow	
				1	fast	
6	End Character	Message end character	binary	0x0d	CR	



### 4.3.9 FBS Setting Change Request

After receiving the FBS Setting Change Request, the ATDM-0604a sends the processing results to the host via ACK or NAK.

[1] Set Command

In case of the FBS Setting Change Request from the host, refer to the command format table below.

s\_fbs\_S\_0000\_00\_NC\_12,3,1,1,1,1,1,1,1,1\_↓

**Table 4-44 Command Format**

No	item	Description	type	value	value description	remarks
1	Command	Command string	string	s_fbs		
2	HandShake Select	Sequence execution system	string	S		
3	Model ID	Not used	string	0000		Not used
4	Device ID	Not used	string	00		Not used
5	Continue Select	Divided message system	string	NC	No divided message	
6	Parameter	Parameter				
	Channel Select	Channel select	string	0 to 5	Input channel 1 to 6	
				12 to 13	Output channel 1 to 2	
				20	Output ST	
	Processing Type	Processing type	string	0	Reset	
				1	All Static	
				2	Copy to EQ	Output channel only
				3	Band Setting	
	Enable	Enable/disable	string	0	Off	
				1	On	
	Band1	Static selection	string	0	Off	
				1	On(static)	
	Band2	Static selection	string	0	Off	
				1	On(static)	
	Band3	Static selection	string	0	Off	
1				On(static)		

No	item	Description	type	value	value description	remarks	
	Band4	Static selection	string	0	Off		
				1	On(static)		
	Band5	Static selection	string	0	Off		
				1	On(static)		
	Band6	Static selection	string	0	Off		
				1	On(static)		
	Band7	Static selection	string	0	Off		
				1	On(static)		
	Band8	Static selection	string	0	Off		
				1	On(static)		
	7	End Character	Message end character	binary	0x0d	CR	

[2] ACK/NAK

See Factory Default Setting Request [2].

### 4.3.10 FBS Setting Acquisition Request

After receiving the FBS Setting Acquisition Request, the ATDM-0604a sends the FBS settings to the host via Answer.

[1] Get Command

In case of the FBS Setting Acquisition Request from the host, refer to the command format table below.

g\_fbs\_O\_0000\_00\_NC\_12\_↵

**Table 4-45 Command Format**

No	item	Description	type	value	value description	remarks
1	Command	Command string	string	g_fbs		
2	HandShake Select	Sequence execution system	string	O		
3	Model ID	Not used	string	0000		Not used
4	Device ID	Not used	string	00		Not used
5	Continue Select	Divided message system	string	NC	No divided message	
6	Parameter Channel Select	Parameter Channel select	string	0 to 5	Input channel 1 to 6	
				12 to 13	Output channel 1 to 2	
				20	Output Channel ST	
7	End Character	Message end character	binary	0x0d	CR	

[2] Answer

Refer to the table below for Answer Command format from the ATDM-0604a.

g\_fbs\_0000\_00\_NC\_12,,1,1,480,72,31,1,480,72,31,1,480,72,31,1,480,72,31,1,480,  
72,31,1,480,72,31,1,480,72,31,1,480,72,31\_↓

**Table 4-46 Answer Command Format**

No	item	Description	type	value	value description	remarks
1	Command	Command string	string	s_fbs		
2	Model ID	Not used	string	0000		Not used
3	Device ID	Device ID	string	00 to FF	Device ID	
4	Continue Select	Divided message system	string	NC	No divided message	
5	Parameter	Parameter				
	Channel Select	Channel select	string	0 to 5 12 to 13 20	Input channel 1 to 6 Output channel 1 to 2 Output Channel ST	
	Processing Type	Processing type	string			Not used
	Enable	Enable/disable	string	0 1	Off On	
	Band1					
	Static	Static selection	string	0 1	Off On(static)	
	Frequency	Frequency	string	0 to 480	20Hz to 20kHz	See 6.2 Frequency Table.
	Gain	Gain	string	0 to 72	-18dB to +18dB	See 6.4 EQ Gain Table.
	Q Value	Q value	string	0 to 31	0.3 to 60	See 6.3 Q Value Table.
	Band2					
	Static	Static selection	string	0 1	Off On(static)	
	Frequency	Frequency	string	0 to 480	20Hz to 20kHz	See 6.2 Frequency Table.
	Gain	Gain	string	0 to 72	-18dB to +18dB	See 6.4 EQ Gain Table.

No	item	Description	type	value	value description	remarks
		Q Value	string	0 to 31	0.3 to 60	See 6.3 Q Value Table.
	Band3					
	Static	Static selection	string	0	Off	
				1	On(static)	
	Frequency	Frequency	string	0 to 480	20Hz to 20kHz	See 6.2 Frequency Table.
	Gain	Gain	string	0 to 72	-18dB to +18dB	See 6.4 EQ Gain Table.
	Q Value	Q value	string	0 to 31	0.3 to 60	See 6.3 Q Value Table.
	Band4					
	Static	Static selection	string	0	Off	
				1	On(static)	
	Frequency	Frequency	string	0 to 480	20Hz to 20kHz	See 6.2 Frequency Table.
	Gain	Gain	string	0 to 72	-18dB to +18dB	See 6.4 EQ Gain Table.
	Q Value	Q value	string	0 to 31	0.3 to 60	See 6.3 Q Value Table.
	Band5					
	Static	Static selection	string	0	Off	
				1	On(static)	
	Frequency	Frequency	string	0 to 480	20Hz to 20kHz	See 6.2 Frequency Table.
	Gain	Gain	string	0 to 72	-18dB to +18dB	See 6.4 EQ Gain Table.
	Q Value	Q value	string	0 to 31	0.3 to 60	See 6.3 Q Value Table.
	Band6					
	Static	Static selection	string	0	Off	
				1	On(static)	
	Frequency	Frequency	string	0 to 480	20Hz to 20kHz	See 6.2 Frequency Table.
	Gain	Gain	string	0 to 72	-18dB to +18dB	See 6.4 EQ Gain Table.
	Q Value	Q value	string	0 to 31	0.3 to 60	See 6.3 Q Value Table.
	Band7					
	Static	Static selection	string	0	Off	
				1	On(static)	
	Frequency	Frequency	string	0 to 480	20Hz to 20kHz	See 6.2 Frequency Table.

No	item	Description	type	value	value description	remarks	
		Gain	Gain	string	0 to 72	-18dB to +18dB	See 6.4 EQ Gain Table.
		Q Value	Q value	string	0 to 31	0.3 to 60	See 6.3 Q Value Table.
	Band8						
		Static	Static selection	string	0	Off	
					1	On(static)	
		Frequency	Frequency	string	0 to 480	20Hz to 20kHz	See 6.2 Frequency Table.
		Gain	Gain	string	0 to 72	-18dB to +18dB	See 6.4 EQ Gain Table.
	Q Value	Q value	string	0 to 31	0.3 to 60	See 6.3 Q Value Table.	
6	End Character	Message end character	binary	0x0d	CR		

### 4.3.11 Input Channel Dynamics Setting Change Request

After receiving the Input Channel Dynamics Setting Change Request, the ATDM-0604a sends the processing results to the host via ACK or NAK.

[1] Set Command

In case of the Input Channel Dynamics Setting Change Request from the host, refer to the command format table below.

```
s_input_channel_comp_settings_S_0000_00_NC_5,1,1,60,5,10000,2000,20,2,480,7
2,31,2,480,72,31,1_↵
```

**Table 4-47 Command Format**

No	item	Description	type	value	value description	remarks	
1	Command	Command string	string	s_input_channel_comp_settings			
2	HandShake Select	Sequence execution system	string	S			
3	Model ID	Not used	string	0000		Not used	
4	Device ID	Not used	string	00		Not used	
5	Continue Select	Divided message system	string	NC	No divided message		
6	Parameter	Parameter					
	Input Channel Select	Input channel select	string	0 to 5	Input channel 1 to 6		
	Enalbe	Compressor enabled	string	0	Off		
				1	On		
	Comp/DeEsser		string	0	Comp		
				1	DeEsser		
	Compressor						
	Threshold	Compressor threshold	string	0 to 60	-60 to 0dB		
	Ratio	Compressor ratio	string	0	1:1.4		
				1	1:2		
				2	1:4		
				3	1:6		
4				1:10			

No	item	Description	type	value	value description	remarks
				5	+∞	
	Attack Time	Attack time	string	0	0msec	
				25	0.25msec	
				50	0.5msec	
				100	1msec	
				200	2msec	
				400	4msec	
				800	8msec	
				1600	16msec	
				3200	32msec	
				10000	100msec	
	Release Time	Release time	string	50,100,200,400,800,1000,2000	50 to 2000msec	
	Output Gain	Gain	string	0 to 20	10 to -10dB	
DeEssor						
Band1						
	Filter Type	Filter type	string	0	LPF/HPF	
				1	LSH/HSB	
				2	PEQ	
	Frequency	Frequency	string	0 to 480	20Hz to 20kHz	See 6.2 Frequency Table.
	Gain	Gain	string	0 to 72	-18dB to +18dB	See 6.4 EQ Gain Table.
	Q Value	Q value	string	0 to 31	0.3 to 60	See 6.3 Q Value Table.
Band2						
	Filter Type	Filter type	string	0	LPF/HPF	
				1	LSH/HSB	
				2	PEQ	
	Frequency	Frequency	string	0 to 480	20Hz to 20kHz	See 6.2 Frequency Table.
	Gain	Gain	string	0 to 72	-18dB to +18dB	See 6.4 EQ Gain Table.
	Q Value	Q value	string	0 to 31	0.3 to 60	See 6.3 Q Value Table.
	Side Chain		string	0	Off	



No	item	Description	type	value	value description	remarks
				1	On	
	Low cut	Low cut	string	0	Off	
				1	On	
7	End Character	Message end character	binary	0x0d	CR	

[2] ACK/NAK

See Factory Default Setting Request [2].

### 4.3.12 Input Channel Dynamics Setting Acquisition Request

After receiving the Input Channel Dynamics Setting Acquisition Request, the ATDM-0604a sends the output settings to the host via Answer.

[1] Get Command

In case of the Input Channel Dynamics Setting Acquisition Request from the host, refer to the command format table below.

g\_input\_channel\_comp\_settings\_O\_0000\_00\_NC\_5↵

**Table 4-48 Command Format**

No	item	Description	type	value	value description	remarks
1	Command	Command string	string	g_input_channel_comp_settings		
2	HandShake Select	Sequence execution system	string	O		
3	Model ID	Not used	string	0000		Not used
4	Device ID	Not used	string	00		Not used
5	Continue Select	Divided message system	string	NC	No divided message	
6	Parameter	Parameter				
	Input Channel Select	Input channel select	string	0 to 5	Input channel 1 to 6	
7	End Character	Message end character	binary	0x0d	CR	

[2] Answer

Refer to the table below for Answer Command format from the ATDM-0604a.

g\_input\_channel\_comp\_settings\_0000\_00\_NC\_5,1,1,60,5,10000,2000,20,2,480,72,3  
 1,2,480,72,31,1\_↵

**Table 4-49 Answer Command Format**

No	item	Description	type	Value	value description	remarks	
1	Command	Command string	string	g_input_channel_comp_settings			
2	Model ID	Not used	string	0000		Not used	
3	Device ID	Device ID	string	00 to FF	Device ID		
4	Continue Select	Divided message system	string	NC	No divided message		
5	Parameter	Parameter					
	Input Channel Select	Input channel select	string	0 to 5	Input channel 1 to 6		
	Enalbe	Compressor enabled	string	0	Off		
				1	On		
	Comp/DeEsser		string	0	Comp		
				1	DeEsser		
	Compressor						
	Threshold	Compressor threshold	string	0 to 60	-60 to 0dB		
	Ratio	Compressor ratio	string	0	1:1.4		
				1	1:2		
				2	1:4		
				3	1:6		
				4	1:10		
				5	+∞		
	Attack Time	Attack time	string	0	0msec		
25				0.25msec			
50				0.5msec			
100				1msec			

No	item	Description	type	Value	value description	remarks
				200	2msec	
				400	4msec	
				800	8msec	
				1600	16msec	
				3200	32msec	
				10000	100msec	
		Release Time	Release time	string	50,100,200,400,800,1000,2000	50 to 2000msec
		Output Gain	Gain	string	0 to 20	10 to -10dB
	DeEssor					
	Band1					
		Filter Type	Filter type	string	0	LPF/HPF
					1	LSH/HSH
					2	PEQ
		Frequency	Frequency	string	0 to 480	20Hz to 20kHz See 6.2 Frequency Table.
		Gain	Gain	string	0 to 72	-18dB to +18dB See 6.4 EQ Gain Table.
		Q Value	Q value	string	0 to 31	0.3 to 60 See 6.3 Q Value Table.
	Band2					
		Filter Type	Filter type	string	0	LPF/HPF
					1	LSH/HSH
					2	PEQ
		Frequency	Frequency	string	0 to 480	20Hz to 20kHz See 6.2 Frequency Table.
		Gain	Gain	string	0 to 72	-18dB to +18dB See 6.4 EQ Gain Table.
		Q Value	Q value	string	0 to 31	0.3 to 60 See 6.3 Q Value Table.
		Side Chain		string	0	Off
					1	On
		Low cut	Low cut	string	0	Off
					1	On
6	End Character	Message end character	binary	0x0d	CR	

### 4.3.13 AEC Setting Change Request

After receiving the AEC Setting Change Request, the ATDM-0604a sends the processing results to the host via ACK or NAK.

[1] Set Command

In case of the AEC Setting Change Request from the host, refer to the command format table below.

s\_aec\_general\_S\_0000\_00\_NC\_2,23,,1,,10,,,,20,20,1,1,↓

**Table 4-50 Command Format**

No	item	Description	type	value	value description	remarks
1	Command	Command string	string	s_aec_general		
2	HandShake Select	Sequence execution system	string	S		
3	Model ID	Not used	string	0000		Not used
4	Device ID	Not used	string	00		Not used
5	Continue Select	Divided message system	string	NC	No divided message	
6	Parameter	Parameter				
	Mode	AEC mode	string	0	Off	
				1	AEC	
				2	Noise Canceling	
	AEC Reference	AEC Reference	string	0 to 5	Input channel 1 to 6	
				10	Input ST	
				12 to 13	Output channel 1 to 2	
				22	Output ST	
				23	External	
	Reserved	Reserved	string			Not used
	Send Reference	Send Reference	string	0	Off	
				1	On	
	Reserved	Reserved	string			Not used
	Input Bus Select	Input Bus Select	string	0	Bus 1	
			string	1	Bus 2	
			string	10	Bus ST	

No	item	Description	type	value	value description	remarks	
	Output	Output 1	string	0	Off		
				1	On		
		Output 2	string	0	Off		
				1	On		
		Output ST	string	0	Off		
				1	On		
		Noise Canceling Attenuation Level					
		AEC	Attenuation level (AEC mode)	string	0 to 20	0 to 20dB	
		Noise Canceling	Attenuation level (noise canceling mode)	string	0 to 20	0 to 20dB	
	Non Linear Processing						
	Enable	Non-linear processing enabled	string	0	Off		
				1	On		
				Sensitivity			
	Sensitivity	Non Linear Processing Sensitivity	string	0	Low		
1				Mid			
2				High			
Reserved	Reserved	string			Not used		
7	End Character	Message end character	binary	0x0d	CR		

[2] ACK/NAK

See Factory Default Setting Request [2].

### 4.3.14 AEC Setting Acquisition Request

After receiving the AEC Setting Acquisition Request, the ATDM-0604a sends the AEC settings to the host via Answer.

[1] Get Command

In case of the AEC Setting Acquisition Request from the host, refer to the command format table below.

g\_aec\_general\_O\_0000\_00\_NC\_↓

**Table 4-51 Command Format**

No	Item	Description	type	value	value description	remarks
1	Command	Command string	string	g_aec_general		
2	HandShake Select	Sequence execution system	string	O		
3	Model ID	Not used	string	0000		Not used
4	Device ID	Not used	string	00		Not used
5	Continue Select	Divided message system	string	NC	No divided message	
6	Parameter	Parameter	-	-	No parameter	
7	End Character	Message end character	binary	0x0d	CR	

[2] Answer

Refer to the table below for Answer Command format from the ATDM-0604a.

g\_aec\_general\_0000\_00\_NC\_2,23,,1,,10,,,,20,20,1,1,↓

**Table 4-52 Answer Command Format**

No	Item	Description	type	value	value description	remarks
1	Command	Command string	string	g_aec_general		
2	Model ID	Not used	string	0000		Not used
3	Device ID	Device ID	string	00 to FF	Device ID	
4	Continue Select	Divided message system	string	NC	No divided message	
5	Parameter Mode	Parameter AEC mode	string	0	Off	
				1	AEC	
				2	Noise Canceling	

No	Item	Description	type	value	value description	remarks	
	AEC Reference	AEC Reference	string	0 to 5	Input channel 1 to 6		
				10	Input ST		
				12 to 13	Output channel 1 to 2		
				22	Output ST		
				23	External		
	Reserved	Reserved	string			Not used	
	Send Reference	Send Reference	string	0	Off		
				1	On		
	Reserved	Reserved	string			Not used	
	Input Bus Select	Input Bus Select	string	0	Bus 1		
			string	1	Bus 2		
			string	10	Bus ST		
	Output	Output 1	string	0	Off		
				1	On		
		Output 2	string	0	Off		
				1	On		
		Output ST	string	0	Off		
				1	On		
	Noise Canceling Attenuation Level						
		AEC	Attenuation level (AEC mode)	string	0 to 20	0 to 20dB	
		Noise Canceling	Attenuation level (noise canceling mode)	string	0 to 20	0 to 20dB	
	Non Linear Processing						
		Enable	Non-linear processing enabled	string	0	Off	
1					On		
	Sensitivity	Non Linear Processing Sensitivity	string	0	Low		
				1	Mid		
				2	High		
Reserved	Reserved	string			Not used		
6	End Character	Message end character	binary	0x0d	CR		



### 4.3.15 Smart Mix Setting Change Request

After receiving the Smart Mix Setting Change Request, the ATDM-0604a sends the processing results to the host via ACK or NAK.

[1] Set Command

In case of the Smart Mix Setting Change Request from the host, refer to the command format table below.

s\_smart\_mix\_S\_0000\_00\_NC\_5,4,60,1,1,60,20↵

**Table 4-53 Command Format**

No	item	Description	type	value	value description	remarks
1	Command	Command string	string	s_smart_mix		
2	HandShake Select	Sequence execution system	string	S		
3	Model ID	Not used	string	0000		Not used
4	Device ID	Not used	string	00		Not used
5	Continue Select	Divided message system	string	NC	No divided message	
6	Parameter	Parameter				
	Input Channel Select	Input channel select	string	0 to 5	Input channel 1 to 6	
	Smart Mix Group	Smart Mix Group	string	1	SmartMix Group 1	
	GainShare					
	Weight	GainShare weight	string	0 to 60	-15.0, -14.5 to +15.0	
	Gate					
	Priority	Priority	string	0 1	Off On	
	Can Cut	Cut	string	0 1	Off On	
	Off Attenuation of closed mic	Attenuation of closed microphone	string	0 to 60	-60 to 0dB	
	Threshold	Threshold	string	0 to 20	-10 to 10dB	
7	End Character	Message end character	binary	0x0d	CR	

[2] ACK/NAK

See Factory Default Setting Request [2].

### 4.3.16 Smart Mix Setting Acquisition Request

After receiving the Smart Mix Setting Acquisition Request, the ATDM-0604a sends the input settings to the host via Answer.

[1] Get Command

In case of the Smart Mix Setting Acquisition Request from the host, refer to the command format table below.

g\_smart\_mix\_O\_0000\_00\_NC\_5\_↓

**Table 4-54 Command Format**

No	Item	Description	type	value	value description	remarks
1	Command	Command string	string	g_smart_mix		
2	HandShake Select	Sequence execution system	string	O		
3	Model ID	Not used	string	0000		Not used
4	Device ID	Not used	string	00		Not used
5	Continue Select	Divided message system	string	NC	No divided message	
6	Parameter	Parameter				
	Input Channel Select	Input channel select	string	0 to 5	Input channel 1 to 6	
7	End Character	Message end character	binary	0x0d	CR	

[2] Answer

Refer to the table below for Answer Command format from the ATDM-0604a.

g\_smart\_mix\_0000\_00\_NC\_5,1,60,1,1,60,20\_↓

**Table 4-55 Answer Command Format**

No	item	Description	type	value	value description	remarks	
1	Command	Command string	string	g_smart_mix			
2	Model ID	Not used	string	0000		Not used	
3	Device ID	Device ID	string	00 to FF	Device ID		
4	Continue Select	Divided message system	string	NC	No divided message		
5	Parameter	Parameter					
	Input Channel Select	Input channel select	string	0 to 5	Input channel 1 to 6		
	Smart Mix Group	Smart Mix Group	string	1	SmartMix Group 1		
	GainShare						
	Weight	GainShare weight	string	0 to 60	-15.0, -14.5 to +15.0		
	Gate						
	Priority	Priority	string	0 1	Off On		
	Can Cut	Cut	string	0 1	Off On		
	Off Attenuation of closed mic	Attenuation of closed microphone	string	0 to 60	-60 to 0dB		
	Threshold	Threshold	string	0 to 20	-10 to 10dB		
	6	End Character	Message end character	binary	0x0d	CR	

### 4.3.17 Smart Mix Common Setting Change Request

After receiving the Smart Mix Common Setting Change Request, the ATDM-0604a sends the processing results to the host via ACK or NAK.

[1] Set Command

In case of the Smart Mix Common Setting Change Request from the host, refer to the command format table below.

s\_smart\_mix\_general\_S\_0000\_00\_NC\_2,1,10000,1,10,1,1,80,4\_↵

**Table 4-56 Command Format**

No	item	Description	type	value	value description	remarks
1	Command	Command string	string	s_smart_mix_general		
2	HandShake Select	Sequence execution system	string	S		
3	Model ID	Not used	string	0000		Not used
4	Device ID	Not used	string	00		Not used
5	Continue Select	Divided message system	string	NC	No divided message	
6	Parameter	Parameter				
	Mode	Smart Mix mode	string	0	Off	
				1	Gate	
				2	Gain Share	
	Last Mic On	Last Mic On	string	0	Off	
				1	On	
	Gate Hold Time	Gate Hold Time	string	100,200,300,400,500,1000,1500,2000,2500,3000,3500,4000,4500,5000,5500,6000,6500,7000,7500,8000,8500,9000,9500,10000		
	NOMA	NOMA	string	0	Off	
				1	On	
	Num Of Open Mic	Num Of Open Mic	string	1 to 10	1 to 10 microphones	
	Priority Mode	Priority mode	string	0	Mode 1	
				1	Mode 2	
	Gate Threshold					
	Enable	Gate Threshold enabled	string	0	Off	

No	item	Description	type	value	value description	remarks
				1	On	
		Level	string	0 to 80	-80 to 0dB	
		Smart Mix Group	string	1	SmartMix Group 1	Fixed to 1.
7	End Character	Message end character	binary	0x0d	CR	

[2] ACK/NAK

See Factory Default Setting Request [2].

### 4.3.18 Smart Mix Common Setting Acquisition Request

After receiving the Smart Mix Common Setting Acquisition Request, the ATDM-0604a sends the input settings to the host via Answer.

[1] Get Command

In case of the Smart Mix Common Setting Acquisition Request from the host, refer to the command format table below.

g\_smart\_mix\_general\_O\_0000\_00\_NC\_1\_↵

**Table 4-57 Command Format**

No	item	Description	type	value	value description	remarks
1	Command	Command string	string	g_smart_mix_general		
2	HandShake Select	Sequence execution system	string	O		
3	Model ID	Not used	string	0000		Not used
4	Device ID	Not used	string	00		Not used
5	Continue Select	Divided message system	string	NC	No divided message	
6	Parameter	Parameter				
	Smart Mix Group	Smart Mix Group	string	1	SmartMix Group 1	Group 1 when omitted
7	End Character	Message end character	binary	0x0d	CR	

[2] Answer

Refer to the table below for Answer Command format from the ATDM-0604a.

g\_smart\_mix\_general\_0000\_00\_NC\_2,1,10000,1,10,1,1,80,4\_↓

**Table 4-58 Answer Command Format**

No	item	Description	type	value	value description	remarks	
1	Command	Command string	string	g_smart_mix_general			
2	Model ID	Not used	string	0000		Not used	
3	Device ID	Device ID	string	00 to FF	Device ID		
4	Continue Select	Divided message system	string	NC	No divided message		
5	Parameter	Parameter					
	Mode	Smart Mix mode	string	0	Off		
				1	Gate		
				2	Gain Share		
	Last Mic On	Last Mic On	string	0	Off		
				1	On		
	Gate Hold Time	Gate Hold Time	string	100,200,300,400,500,1000,1500,2000,2500,3000,3500,4000,4500,5000,5500,6000,6500,7000,7500,8000,8500,9000,9500,10000			
	NOMA	NOMA	string	0	Off		
				1	On		
	Num Of Open Mic	Num Of Open Mic	string	1 to 10	1 to 10 microphones		
	Priority Mode	Priority mode	string	0	Mode 1		
				1	Mode 2		
	Gate Threshold						
		Enable	Gate Threshold enabled	string	0	Off	
1					On		
	Level	Level	string	0 to 80	-80 to 0dB		
	Smart Mix Group	Smart Mix Group	string	1	SmartMix Group 1		
6	End Character	Message end character	binary	0x0d	CR		



### 4.3.19 Ducker Setting Change Request

After receiving the Ducker Setting Change Request, the ATDM-0604a sends the processing results to the host via ACK or NAK.

[1] Set Command

In case of the Ducker Setting Change Request from the host, refer to the command format table below.

s\_ducker\_general\_S\_0000\_00\_NC\_1\_↵

**Table 4-59 Command Format**

No	Item	Description	type	value	value description	remarks
1	Command	Command string	string	s_ducker_general		
2	HandShake Select	Sequence execution system	string	S		
3	Model ID	Not used	string	0000		Not used
4	Device ID	Not used	string	00		Not used
5	Continue Select	Divided message system	string	NC	No divided message	
6	Parameter	Parameter	string	0	Off	
				1	On	
7	End Character	Message end character	binary	0x0d	CR	

[2] ACK/NAK

See Factory Default Setting Request [2].

### 4.3.20 Ducker Setting Acquisition Request

After receiving the Ducker Setting Acquisition Request, the ATDM-0604a sends the log settings to the host via Answer.

[1] Get Command

In case of the Ducker Setting Acquisition Request from the host, refer to the command format table below.

g\_ducker\_general\_O\_0000\_00\_NC\_↓

**Table 4-60 Command Format**

No	Item	Description	type	value	value description	remarks
1	Command	Command string	string	g_ducker_general		
2	HandShake Select	Sequence execution system	string	O		
3	Model ID	Not used	string	0000		Not used
4	Device ID	Not used	string	00		Not used
5	Continue Select	Divided message system	string	NC	No divided message	
6	Parameter	Parameter	-	-	No parameter	
7	End Character	Message end character	binary	0x0d	CR	

[2] Answer

Refer to the table below for Answer Command format from the ATDM-0604a.

g\_ducker\_general\_0000\_00\_NC\_1\_↵

**Table 4-61 Answer Command Format**

No	item	Description	type	value	value description	remarks
1	Command	Command string	string	g_ducker_general		
2	Model ID	Not used	string	0000		Not used
3	Device ID	Device ID	string	00 to FF	Device ID	
4	Continue Select	Divided message system	string	NC	No divided message	
5	Parameter	Parameter				
	Enable	Ducker enabled	string	0	Off	
				1	On	
6	End Character	Message end character	binary	0x0d	CR	

## 4.4 Output Command Details

### 4.4.1 Output Level Setting Change Request

After receiving the Output Level Setting Change Request, the ATDM-0604a sends the processing results to the host via ACK or NAK.

[1] Set Command

In case of the Output Level Setting Change Request from the host, refer to the command format table below.

s\_output\_level\_S\_0000\_00\_NC\_8,511,1,511,0,511\_↵

**Table 4-62 Command Format**

No	item	Description	type	value	value description	remarks	
1	Command	Command string	string	s_output_level			
2	HandShake Select	Sequence execution system	string	S			
3	Model ID	Not used	string	0000		Not used	
4	Device ID	Not used	string	00		Not used	
5	Continue Select	Divided message system	string	NC	No divided message		
6	Parameter	Parameter					
	Output Channel Select	Output channel select	string	0 to 1	Output channel 1 to 2		
				8 or 10	Output ST		
	Level	Level	string	0 to 511	-120 to +10db	See 6.1 Fader Table.	
	Max Volume						
	Enable	On/Off	string	0	Off		
				1	On		
	Value	Volume	string	0 to 511	-120 to +10db	See 6.1 Fader Table.	
	Min Volume						
	Enable	On/Off	string	0	Off		
				1	On		
Value	Volume	string	0 to 511	-120 to +10db	See 6.1 Fader Table.		
7	End Character	Message end character	binary	0x0d	CR		

[2] ACK/NAK

See Factory Default Setting Request [2].

#### 4.4.2 Output Level Setting Acquisition Request

After receiving the Output Level Setting Acquisition Request, the ATDM-0604a sends the output settings to the host via Answer.

[1] Get Command

In case of the Output Level Setting Acquisition Request from the host, refer to the command format table below.

g\_output\_level\_O\_0000\_00\_NC\_8\_↓

**Table 4-63 Command Format**

No	item	Description	type	value	value description	remarks
1	Command	Command string	string	g_output_level		
2	HandShake Select	Sequence execution system	string	O		
3	Model ID	Not used	string	0000		Not used
4	Device ID	Not used	string	00		Not used
5	Continue Select	Divided message system	string	NC	No divided message	
6	Parameter Output Channel Select	Parameter Output channel select	string	0 to 1	Output channel 1 to 2	
				8 or 10	Output ST	
7	End Character	Message end character	binary	0x0d	CR	

[2] Answer

Refer to the table below for Answer Command format from the ATDM-0604a.

g\_output\_level\_0000\_00\_NC\_8,511,1,511,0,511\_↓

**Table 4-64 Answer Command Format**

No	item	Description	type	value	value description	remarks	
1	Command	Command string	string	g_output_level			
2	Model ID	Not used	string	0000		Not used	
3	Device ID	Device ID	string	00 to FF	Device ID		
4	Continue Select	Divided message system	string	NC	No divided message		
5	Parameter	Parameter					
	Output Channel Select	Output channel select	string	0 to 1	Output channel 1 to 2		
				8 or 10	Output ST		
	Level	Level	string	0 to 511	-120 to +10db	See 6.1 Fader Table.	
	Max Volume						
	Enable	On/Off	string	0	Off		
				1	On		
	Value	Volume	string	0 to 511	-120 to +10db	See 6.1 Fader Table.	
	Min Volume						
	Enable	On/Off	string	0	Off		
				1	On		
Value	Volume	string	0 to 511	-120 to +10db	See 6.1 Fader Table.		
6	End Character	Message end character	binary	0x0d	CR		

### 4.4.3 Output Channel Mute Setting Change Request

After receiving the Output Channel Mute Setting Change Request, the ATDM-0604a sends the processing results to the host via ACK or NAK.

[1] Set Command

In case of the Output Channel Mute Setting Change Request from the host, refer to the command format table below.

s\_output\_mute\_S\_0000\_00\_NC\_10,1↵

**Table 4-65 Command Format**

No	item	Description	type	value	value description	remarks
1	Command	Command string	string	s_output_mute		
2	HandShake Select	Sequence execution system	string	S		
3	Model ID	Not used	string	0000		Not used
4	Device ID	Not used	string	00		Not used
5	Continue Select	Divided message system	string	NC	No divided message	
6	Parameter	Parameter				
	Output Channel Select	Output channel select	string	0 to 1	Output channel 1 to 2	
				8 or 10	Output ST	
Mute	Mute status	string	0	Not muted		
			1	Muted		
7	End Character	Message end character	binary	0x0d	CR	

[2] ACK/NAK

See Factory Default Setting Request [2].



#### 4.4.4 Output Channel Mute Setting Acquisition Request

After receiving the Output Channel Mute Setting Acquisition Request, the ATDM-0604a sends the output settings to the host via Answer.

[1] Get Command

In case of the Output Channel Mute Setting Acquisition Request from the host, refer to the command format table below.

g\_output\_mute\_O\_0000\_00\_NC\_10\_↓

**Table 4-66 Command Format**

No	item	Description	type	value	value description	remarks
1	Command	Command string	string	g_output_mute		
2	HandShake Select	Sequence execution system	string	O		
3	Model ID	Not used	string	0000		Not used
4	Device ID	Not used	string	00		Not used
5	Continue Select	Divided message system	string	NC	No divided message	
6	Parameter	Parameter				
	Output Channel Select	Output channel select	string	0 to 1 8 or 10	Output channel 1 to 2 Output ST	
7	End Character	Message end character	binary	0x0d	CR	

[2] Answer

Refer to the table below for Answer Command format from the ATDM-0604a.

g\_output\_mute\_0000\_00\_NC\_10,1\_↵

**Table 4-67 Answer Command Format**

No	item	Description	type	value	value description	remarks
1	Command	Command string	string	g_output_mute		
2	Model ID	Not used	string	0000		Not used
3	Device ID	Device ID	string	00 to FF	Device ID	
4	Continue Select	Divided message system	string	NC	No divided message	
5	Parameter	Parameter				
	Output Channel Select	Output channel select	string	0 to 1	Output channel 1 to 2	
				8 or 10	Output ST	
	Mute	Mute status	string	0	Not muted	
1				Muted		
6	End Character	Message end character	binary	0x0d	CR	

#### 4.4.5 Output Channel Setting Change Request

After receiving the Output Channel Setting Change Request, the ATDM-0604a sends the processing results to the host via ACK or NAK.

##### [1] Set Command

In case of the Output Channel Setting Change Request from the host, refer to the command format table below.

s\_output\_channel\_settings\_S\_0000\_00\_NC\_8,3,"OUT ST",3,8\_↓

**Table 4-68 Command Format**

No	item	Description	type	value	value description	remarks			
1	Command	Command string	string	s_output_channel_settings					
2	HandShake Select	Sequence execution system	string	S					
3	Model ID	Not used	string	0000		Not used			
4	Device ID	Not used	string	00		Not used			
5	Continue Select	Divided message system	string	NC	No divided message				
6	Parameter	Parameter							
			Output Channel Select	Output channel select	string	0 to 1	Output channel 1 to 2		
						8 or 10	Output ST		
			Unity	Unity	string	0	+4dBu	Other than ST1/2	
						1	0dBv		
						2	-10dBv		
						3	-33dBv	ST1/2 only	
			Name	Channel name	char	"	Beginning of character string		
						string	ASCII code	Name	To contain double quotation marks ("), specify them in succession like "".
						char	"	End of character string	
			Color	Channel color	string	0	Green		
						1	Yellow		
						2	Brown		
						3	Red		
4	Pink								
5	Blue								
6	Gray								

No	item	Description	type	value	value description	remarks
				7	DarkGray	
	Reserved	Reserved	string		Not used	
	Fader Group	Fader Group	string	0	None	
				1	Group A	
				2	Group B	
				3	Group C	
				4	Group D	
				5	Group E	
				6	Group F	
				7	Group G	
				8	Group H	
7	End Character	Message end character	binary	0x0d	CR	

[2] ACK/NAK

See Factory Default Setting Request [2].

#### 4.4.6 Output Channel Setting Acquisition Request

After receiving the Output Channel Setting Acquisition Request, the ATDM-0604a sends the output settings to the host via Answer.

[1] Get Command

In case of the Output Channel Setting Acquisition Request from the host, refer to the command format table below.

g\_output\_channel\_settings\_O\_0000\_00\_NC\_8\_↓

**Table 4-69 Command Format**

No	item	Description	type	value	value description	remarks
1	Command	Command string	string	g_output_channel_settings		
2	HandShake Select	Sequence execution system	string	O		
3	Model ID	Not used	string	0000		Not used
4	Device ID	Not used	string	00		Not used
5	Continue Select	Divided message system	string	NC	No divided message	
6	Parameter Output Channel Select	Parameter Output channel select	string	0 to 1	Output channel 1 to 2	
				8 or 10	Output ST	
7	End Character	Message end character	binary	0x0d	CR	

[2] Answer

Refer to the table below for Answer Command format from the ATDM-0604a.

g\_output\_channel\_settings\_0000\_00\_NC\_8,3,"OUT ST",3,8

**Table 4-70 Answer Command Format**

No	item	Description	type	value	value description	remarks
1	Command	Command string	string	g_output_channel_settings		
2	Model ID	Not used	string	0000		Not used
3	Device ID	Device ID	string	00 to FF	Device ID	
4	Continue Select	Divided message system	string	NC	No divided message	
5	Parameter	Parameter				
	Output Channel Select	Output channel select	string	0 to 1	Output channel 1 to 2	
				8 or 10	Output ST	
	Unity	Unity	string	0	+4dBu	Other than ST1/2
				1	0dBv	
				2	-10dBv	
				3	-33dBv	ST1/2 only
	Name	Channel name	char	"	Beginning of character string	
			string	ASCII code	Name	To contain double quotation marks ("), specify them in succession like "".
			char	"	End of character string	
	Color	Channel color	string	0	Green	
				1	Yellow	
				2	Brown	
				3	Red	
4				Pink		
5				Blue		
6				Gray		
7	DarkGray					

No	item	Description	type	value	value description	remarks
	Reserved	Reserved	string		Not used	
	Fader Group	Fader Group	string	0	None	
				1	Group A	
				2	Group B	
				3	Group C	
				4	Group D	
				5	Group E	
				6	Group F	
				7	Group G	
				8	Group H	
6	End Character	Message end character	binary	0x0d	CR	





No	item	Description	type	value	value description	remarks
		Frequency	string	0 to 480	20Hz to 20kHz	See 6.2 Frequency Table.
		Gain	string	0 to 72	-18dB to +18dB	See 6.4 EQ Gain Table.
		Q Value	string	0 to 31	0.3 to 60	See 6.3 Q Value Table.
	Band2					
	Band Enable	Enable	string	0	Off	
				1	On	
		Frequency	string	0 to 480	20Hz to 20kHz	See 6.2 Frequency Table.
		Gain	string	0 to 72	-18dB to +18dB	See 6.4 EQ Gain Table.
		Q Value	string	0 to 31	0.3 to 60	See 6.3 Q Value Table.
	Band3					
	Band Enable	Enable	string	0	Off	
				1	On	
		Frequency	string	0 to 480	20Hz to 20kHz	See 6.2 Frequency Table.
		Gain	string	0 to 72	-18dB to +18dB	See 6.4 EQ Gain Table.
		Q Value	string	0 to 31	0.3 to 60	See 6.3 Q Value Table.
	Band4					
	Band Enable	Enable	string	0	Off	
				1	On	
		Frequency	string	0 to 480	20Hz to 20kHz	See 6.2 Frequency Table.
		Gain	string	0 to 72	-18dB to +18dB	See 6.4 EQ Gain Table.
		Q Value	string	0 to 31	0.3 to 60	See 6.3 Q Value Table.
	Band5					
	Band Enable	Enable	string	0	Off	
				1	On	
		Frequency	string	0 to 480	20Hz to 20kHz	See 6.2 Frequency Table.
		Gain	string	0 to 72	-18dB to +18dB	See 6.4 EQ Gain Table.
		Q Value	string	0 to 31	0.3 to 60	See 6.3 Q Value Table.
	Band6					
	Band Enable	Enable	string	0	Off	

No	item	Description	type	value	value description	remarks
				1	On	
	Frequency	Frequency	string	0 to 480	20Hz to 20kHz	See 6.2 Frequency Table.
	Gain	Gain	string	0 to 72	-18dB to +18dB	See 6.4 EQ Gain Table.
	Q Value	Q value	string	0 to 31	0.3 to 60	See 6.3 Q Value Table.
	Band7					
	Band Enable	Enable	string	0	Off	
				1	On	
	Frequency	Frequency	string	0 to 480	20Hz to 20kHz	See 6.2 Frequency Table.
	Gain	Gain	string	0 to 72	-18dB to +18dB	See 6.4 EQ Gain Table.
	Q Value	Q value	string	0 to 31	0.3 to 60	See 6.3 Q Value Table.
	Band8					
	Band Enable	Enable	string	0	Off	
				1	On	
	Frequency	Frequency	string	0 to 480	20Hz to 20kHz	See 6.2 Frequency Table.
	Gain	Gain	string	0 to 72	-18dB to +18dB	See 6.4 EQ Gain Table.
	Q Value	Q value	string	0 to 31	0.3 to 60	See 6.3 Q Value Table.
	Band9					
	Band Enable	Enable	string	0	Off	
				1	On	
	Frequency	Frequency	string	0 to 480	20Hz to 20kHz	See 6.2 Frequency Table.
	Gain	Gain	string	0 to 72	-18dB to +18dB	See 6.4 EQ Gain Table.
	Q Value	Q value	string	0 to 31	0.3 to 60	See 6.3 Q Value Table.
	Band10					
	Band Enable	Enable	string	0	Off	
				1	On	
	Frequency	Frequency	string	0 to 480	20Hz to 20kHz	See 6.2 Frequency Table.
	Gain	Gain	string	0 to 72	-18dB to +18dB	See 6.4 EQ Gain Table.
	Q Value	Q value	string	0 to 31	0.3 to 60	See 6.3 Q Value Table.
	Band11					

No	item	Description	type	value	value description	remarks	
		Band Enable	Enable	string	0 1	Off On	
		Frequency	Frequency	string	0 to 480	20Hz to 20kHz	See 6.2 Frequency Table.
		Gain	Gain	string	0 to 72	-18dB to +18dB	See 6.4 EQ Gain Table.
		Q Value	Q value	string	0 to 31	0.3 to 60	See 6.3 Q Value Table.
	Band12						
		Band Enable	Enable	string	0	Off	
					1	On	
		Filter Type	Filter type	string	0	LPF/HPF	
					1	LSH/HSH	
					2	PEQ	
		Frequency	Frequency	string	0 to 480	20Hz to 20kHz	See 6.2 Frequency Table.
	Gain	Gain	string	0 to 72	-18dB to +18dB	See 6.4 EQ Gain Table.	
	Q Value	Q value	string	0 to 31	0.3 to 60	See 6.3 Q Value Table.	
7	End Character	Message end character	binary	0x0d	CR		

[2] ACK/NAK

See Factory Default Setting Request [2].

#### 4.4.8EQ Output Setting Acquisition Request

After receiving the EQ Output Setting Acquisition Request, the ATDM-0604a sends the output settings to the host via Answer.

[1] Get Command

In case of the EQ Output Setting Acquisition Request from the host, refer to the command format table below.

g\_output\_eq\_O\_0000\_00\_NC\_10\_↓

**Table 4-72 Command Format**

No	item	Description	type	value	value description	remarks
1	Command	Command string	string	g_output_eq		
2	HandShake Select	Sequence execution system	string	O		
3	Model ID	Not used	string	0000		Not used
4	Device ID	Not used	string	00		Not used
5	Continue Select	Divided message system	string	NC	No divided message	
6	Parameter	Parameter				
	Output Channel Select	Output channel select	string	0 to 1 8 or 10	Output channel 1 to 2 Output ST	
7	End Character	Message end character	binary	0x0d	CR	



No	item	Description	type	value	value description	remarks
				1	On	
	Frequency	Frequency	string	0 to 480	20Hz to 20kHz	See 6.2 Frequency Table.
	Gain	Gain	string	0 to 72	-18dB to +18dB	See 6.4 EQ Gain Table.
	Q Value	Q value	string	0 to 31	0.3 to 60	See 6.3 Q Value Table.
	Band3					
	Band Enable	Enable	string	0	Off	
				1	On	
	Frequency	Frequency	string	0 to 480	20Hz to 20kHz	See 6.2 Frequency Table.
	Gain	Gain	string	0 to 72	-18dB to +18dB	See 6.4 EQ Gain Table.
	Q Value	Q value	string	0 to 31	0.3 to 60	See 6.3 Q Value Table.
	Band4					
	Band Enable	Enable	string	0	Off	
				1	On	
	Frequency	Frequency	string	0 to 480	20Hz to 20kHz	See 6.2 Frequency Table.
	Gain	Gain	string	0 to 72	-18dB to +18dB	See 6.4 EQ Gain Table.
	Q Value	Q value	string	0 to 31	0.3 to 60	See 6.3 Q Value Table.
	Band5					
	Band Enable	Enable	string	0	Off	
				1	On	
	Frequency	Frequency	string	0 to 480	20Hz to 20kHz	See 6.2 Frequency Table.
	Gain	Gain	string	0 to 72	-18dB to +18dB	See 6.4 EQ Gain Table.
	Q Value	Q value	string	0 to 31	0.3 to 60	See 6.3 Q Value Table.
	Band6					
	Band Enable	Enable	string	0	Off	
				1	On	
	Frequency	Frequency	string	0 to 480	20Hz to 20kHz	See 6.2 Frequency Table.
	Gain	Gain	string	0 to 72	-18dB to +18dB	See 6.4 EQ Gain Table.
	Q Value	Q value	string	0 to 31	0.3 to 60	See 6.3 Q Value Table.
	Band3					

No	item	Description	type	value	value description	remarks	
		Band Enable	Enable	string	0	Off	
					1	On	
		Frequency	Frequency	string	0 to 480	20Hz to 20kHz	See 6.2 Frequency Table.
		Gain	Gain	string	0 to 72	-18dB to +18dB	See 6.4 EQ Gain Table.
		Q Value	Q value	string	0 to 31	0.3 to 60	See 6.3 Q Value Table.
	Band7						
		Band Enable	Enable	string	0	Off	
					1	On	
		Frequency	Frequency	string	0 to 480	20Hz to 20kHz	See 6.2 Frequency Table.
		Gain	Gain	string	0 to 72	-18dB to +18dB	See 6.4 EQ Gain Table.
		Q Value	Q value	string	0 to 31	0.3 to 60	See 6.3 Q Value Table.
	Band8						
		Band Enable	Enable	string	0	Off	
					1	On	
		Frequency	Frequency	string	0 to 480	20Hz to 20kHz	See 6.2 Frequency Table.
		Gain	Gain	string	0 to 72	-18dB to +18dB	See 6.4 EQ Gain Table.
		Q Value	Q value	string	0 to 31	0.3 to 60	See 6.3 Q Value Table.
	Band9						
		Band Enable	Enable	string	0	Off	
					1	On	
	Frequency	Frequency	string	0 to 480	20Hz to 20kHz	See 6.2 Frequency Table.	
	Gain	Gain	string	0 to 72	-18dB to +18dB	See 6.4 EQ Gain Table.	
	Q Value	Q value	string	0 to 31	0.3 to 60	See 6.3 Q Value Table.	
Band10							
	Band Enable	Enable	string	0	Off		
				1	On		
	Frequency	Frequency	string	0 to 480	20Hz to 20kHz	See 6.2 Frequency Table.	
	Gain	Gain	string	0 to 72	-18dB to +18dB	See 6.4 EQ Gain Table.	
	Q Value	Q value	string	0 to 31	0.3 to 60	See 6.3 Q Value Table.	

No	item	Description	type	value	value description	remarks
	Band11					
	Band Enable	Enable	string	0	Off	
				1	On	
	Frequency	Frequency	string	0 to 480	20Hz to 20kHz	See 6.2 Frequency Table.
	Gain	Gain	string	0 to 72	-18dB to +18dB	See 6.4 EQ Gain Table.
	Q Value	Q value	string	0 to 31	0.3 to 60	See 6.3 Q Value Table.
	Band12					
	Band Enable	Enable	string	0	Off	
				1	On	
	Filter Type	Filter type	string	0	LPF/HPF	
				1	LSH/HSH	
				2	PEQ	
	Frequency	Frequency	string	0 to 480	20Hz to 20kHz	See 6.2 Frequency Table.
	Gain	Gain	string	0 to 72	-18dB to +18dB	See 6.4 EQ Gain Table.
Q Value	Q value	string	0 to 31	0.3 to 60	See 6.3 Q Value Table.	
Band12						
Same as Band1						
6	End Character	Message end character	binary	0x0d	CR	



#### 4.4.9 12BandEQFunction Request

After receiving the 12BandEQFunction Request, the ATDM-0604a sends the processing results to the host via ACK or NAK.

##### [1] Set Command

In case of the 12BandEQFunction Request from the host, refer to the command format table below.

s\_output\_12eq\_func\_S\_0000\_00\_NC\_0,2,20↵

**Table 4-74 Command Format**

No	item	Description	type	value	value description	remarks
1	Command	Command string	string	s_output_12eq_func		
2	HandShake Select	Sequence execution system	string	S		
3	Model ID	Not used	string	0000		Not used
4	Device ID	Not used	string	00		Not used
5	Continue Select	Divided message system	string	NC	No divided message	
6	Parameter	Parameter				
	Output Channel Select	Output channel select	string	0 to 1	Output channel 1 to 2	
				8 or 10	Output ST	
	Processing Type	Processing type	string	0	Flat	All band gain 0
				1	Recall EQ Preset	
				2	Save EQ Preset	
				3	Reset	Reset to Default
	Preset Number	Preset EQ number	string	1 to 20	EQ library 1 to 20	If the processing type is 1 or 2
7	End Character	Message end character	binary	0x0d	CR	

##### [2] ACK/NAK

See Factory Default Setting Request [2].

#### **4.4.10 FBS Setting Change Request**

4.3.9 Same as FBS Setting Change Request.

#### **4.4.11 FBS Setting Acquisition Request**

4.3.10 Same as FBS Setting Acquisition Request.

#### 4.4.12 Dynamics/Delay Setting Change Request

After receiving the Dynamics/Delay Setting Change Request, the ATDM-0604a sends the processing results to the host via ACK or NAK.

##### [1] Set Command

In case of the Dynamics/Delay Setting Change Request from the host, refer to the command format table below.

s\_dynamics\_delay\_S\_0000\_00\_NC\_10,1,1,1,60,5,10000,2000,20,2,480,72,31,2,480,72,31,1,1,60,1,1000\_↓

**Table 4-75 Command Format**

No	item	Description	type	value	value description	remarks	
1	Command	Command string	string	s_dynamics_delay			
2	HandShake Select	Sequence execution system	string	S			
3	Model ID	Not used	string	0000		Not used	
4	Device ID	Not used	string	00		Not used	
5	Continue Select	Divided message system	string	NC	No divided message		
6	Parameter	Parameter					
	Output Channel Select	Output channel select	string	0 to 1	Output channel 1 to 2		
				8 or 10	Output ST		
	Pre/Post		string	0	Pre		
				1	Post		
	Enalbe	Compressor enabled	string	0	Off		
				1	On		
	Comp/DeEsser		string	0	Comp		
				1	DeEsser		
	Compressor						
	Threshold	Compressor threshold	string	0 to 60	-60 to 0dB		
	Ratio	Compressor ratio	string	0	1:1.4		
				1	1:2		
				2	1:4		
3				1:6			
4				1:10			

No	item	Description	type	value	value description	remarks
				5	+∞	
	Attack Time	Attack time	string	0	0msec	
				25	0.25msec	
				50	0.5msec	
				100	1msec	
				200	2msec	
				400	4msec	
				800	8msec	
				1600	16msec	
				3200	32msec	
				10000	100msec	
	Release Time	Release time	string	50,100,200,400,800,1000,2000	50 to 2000msec	
	Output Gain	Gain	string	0 to 20	10 to -10dB	
DeEssor						
Band1						
	Filter Type	Filter type	string	0	LPF/HPF	
				1	LSH/HSB	
				2	PEQ	
	Frequency	Frequency	string	0 to 480	20Hz to 20kHz	See 6.2 Frequency Table.
	Gain	Gain	string	36 to 72	0dB to +18dB	See 6.4 EQ Gain Table.
	Q Value	Q value	string	0 to 31	0.3 to 60	See 6.3 Q Value Table.
Band2						
	Filter Type	Filter type	string	0	LPF/HPF	
				1	LSH/HSB	
				2	PEQ	
	Frequency	Frequency	string	0 to 480	20Hz to 20kHz	See 6.2 Frequency Table.
	Gain	Gain	string	36 to 72	0dB to +18dB	See 6.4 EQ Gain Table.

No	item	Description	type	value	value description	remarks
		Q Value	string	0 to 31	0.3 to 60	See 6.3 Q Value Table.
		Side Chain	string	0	Off	
				1	On	
		Low cut	string	0	Off	
				1	On	
		Limiter				
		Enalbe	string	0	Off	
				1	On	
		Threshold	string	0 to 60	-60 to 0dB	
		Delay				
		Enalbe	string	0	Off	
				1	On	
		Delay Time	string	0 to 1000	0 to 1000msec	
7	End Character	Message end character	binary	0x0d	CR	

[2] ACK/NAK

See Factory Default Setting Request [2].

#### 4.4.13 Dynamics/Delay Setting Acquisition Request

After receiving the Dynamics/Delay Setting Acquisition Request, the ATDM-0604a sends the output settings to the host via Answer.

[1] Get Command

In case of the Dynamics/Delay Setting Acquisition Request from the host, refer to the command format table below.

g\_dynamics\_delay\_O\_0000\_00\_NC\_10\_↵

**Table 4-76 Command Format**

No	item	Description	type	value	value description	remarks
1	Command	Command string	string	g_dynamics_delay		
2	HandShake Select	Sequence execution system	string	O		
3	Model ID	Not used	string	0000		Not used
4	Device ID	Not used	string	00		Not used
5	Continue Select	Divided message system	string	NC	No divided message	
6	Parameter	Parameter	string	0 to 1	Output channel 1 to 2	
				8 or 10	Output ST	
7	End Character	Message end character	binary	0x0d	CR	

[2] Answer

Refer to the table below for Answer Command format from the ATDM-0604a.

g\_dynamics\_delay\_0000\_00\_NC\_10,1,1,1,60,5,10000,2000,20,2,480,72,31,2,480,72,31,1,1,60,1,1000\_↓

**Table 4-77 Answer Command Format**

No	item	Description	type	value	value description	remarks	
1	Command	Command string	string	g_dynamics_delay			
2	Model ID	Not used	string	0000		Not used	
3	Device ID	Device ID	string	00 to FF	Device ID		
4	Continue Select	Divided message system	string	NC	No divided message		
5	Parameter	Parameter					
	Output Channel Select	Output channel select	string	0 to 1	Output channel 1 to 2		
				8 or 10	Output ST		
	Pre/Post		string	0	Pre		
				1	Post		
	Enalbe	Compressor enabled	string	0	Off		
				1	On		
	Comp/DeEsser		string	0	Comp		
				1	DeEsser		
	Compressor						
		Threshold	Compressor threshold	string	0 to 60	-60 to 0dB	
		Ratio	Compressor ratio	string	0	1:1.4	
					1	1:2	
					2	1:4	
					3	1:6	
	4				1:10		
	5				+∞		
	Attack Time	Attack time	string	0	0msec		



No	item	Description	type	value	value description	remarks
				25	0.25msec	
				50	0.5msec	
				100	1msec	
				200	2msec	
				400	4msec	
				800	8msec	
				1600	16msec	
				3200	32msec	
				10000	100msec	
	Release Time	Release time	string	50,100,200,400,800,1000,2000	50 to 2000msec	
	Output Gain	Gain	string	0 to 20	10 to -10dB	
DeEssor						
Band1						
	Filter Type	Filter type	string	0	LPF/HPF	
				1	LSH/HSH	
				2	PEQ	
	Frequency	Frequency	string	0 to 480	20Hz to 20kHz	See 6.2 Frequency Table.
	Gain	Gain	string	0 to 72	-18dB to +18dB	See 6.4 EQ Gain Table.
	Q Value	Q value	string	0 to 31	0.3 to 60	See 6.3 Q Value Table.
Band2						
	Filter Type	Filter type	string	0	LPF/HPF	
				1	LSH/HSH	
				2	PEQ	
	Frequency	Frequency	string	0 to 480	20Hz to 20kHz	See 6.2 Frequency Table.
	Gain	Gain	string	0 to 72	-18dB to +18dB	See 6.4 EQ Gain Table.
	Q Value	Q value	string	0 to 31	0.3 to 60	See 6.3 Q Value Table.
	Side Chain		string	0	Off	
				1	On	
	Low cut	Low cut	string	0	Off	

No	item	Description	type	value	value description	remarks
				1	On	
	Limiter					
	Enalbe	Limiter enabled	string	0	Off	
				1	On	
	Threshold	Limiter threshold	string	0 to 60	-60 to 0dB	
	Delay					
	Enalbe	Delay enabled	string	0	Off	
				1	On	
	Delay Time	Delay time	string	0 to 1000	0 to 1000msec	
6	End Character	Message end character	binary	0x0d	CR	

#### 4.4.14 USB Output Setting Change Request

After receiving the USB Output Setting Change Request, the ATDM-0604a sends the processing results to the host via ACK or NAK.

##### [1] Set Command

In case of the USB Output Setting Change Request from the host, refer to the command format table below.

s\_usb\_out\_S\_0000\_00\_NC\_0,4,411\_↓

**Table 4-78 Command Format**

No	item	Description	type	value	value description	remarks
1	Command	Command string	string	s_usb_out		
2	HandShake Select	Sequence execution system	string	S		
3	Model ID	Not used	string	0000		Not used
4	Device ID	Not used	string	00		Not used
5	Continue Select	Divided message system	string	NC	No divided message	
6	Parameter	Parameter				
	USB OUT					
	Bus Select OUT1	OUT1 bus	string	0	Off	
			string	1 to 2	CH 1 to 2	
			string	3	ST(L)	
			string	4	NC	
	Bus Select OUT2	OUT2 bus	string	0	Off	
string			1 to 2	CH 1 to 2		
string			3	ST(R)		
string			4	NC		
Send Level	Output level	string	0 to 411	-120 to 0db	See 6.1 Fader Table.	
7	End Character	Message end character	binary	0x0d	CR	

##### [2] ACK/NAK

See Factory Default Setting Request [2].

#### 4.4.15 USB Output Setting Acquisition Request

After receiving the USB Output Setting Acquisition Request, the ATDM-0604a sends the USB output settings to the host via Answer.

[1] Get Command

In case of the USB Output Setting Acquisition Request from the host, refer to the command format table below.

g\_usb\_out\_O\_0000\_00\_NC\_↓

**Table 4-79 Command Format**

No	item	Description	type	value	value description	remarks
1	Command	Command string	string	g_usb_out		
2	HandShake Select	Sequence execution system	string	O		
3	Model ID	Not used	string	0000		Not used
4	Device ID	Not used	string	00		Not used
5	Continue Select	Divided message system	string	NC	No divided message	
6	Parameter	Parameter	-	-	No parameter	
7	End Character	Message end character	binary	0x0d	CR	

[2] Answer

Refer to the table below for Answer Command format from the ATDM-0604a.

g\_usb\_out\_0000\_00\_NC\_0,4,411\_↓

**Table 4-80 Answer Command Format**

No	item	Description	type	value	value description	remarks
1	Command	Command string	string	g_usb_out		
2	Model ID	Not used	string	0000		Not used
3	Device ID	Device ID	string	00 to FF	Device ID	
4	Continue Select	Divided message system	string	NC	No divided message	
5	Parameter	Parameter				
	USB OUT					
	Bus Select OUT1	OUT1 bus	string	0	Off	
			string	1 to 2	CH 1 to 2	
			string	3	ST(L)	
			string	4	NC	
	Bus Select OUT2	OUT2 bus	string	0	Off	
string			1 to 2	CH 1 to 2		
string			3	ST(R)		
string			4	NC		
Send Level	Output level	string	0 to 411	-120 to 0db	See 6.1 Fader Table.	
6	End Character	Message end character	binary	0x0d	CR	

#### 4.4.16 Oscillator Control Setting Change Request

After receiving the Oscillator Control Setting Change Request, the ATDM-0604a sends the processing results to the host via ACK or NAK.

##### [1] Set Command

In case of the Oscillator Control Setting Change Request from the host, refer to the command format table below.

s\_oscillator\_S\_0000\_00\_NC\_1,1,2,121,1,1,1

**Table 4-81 Command Format**

No	item	Description	type	value	value description	remarks
1	Command	Command string	string	s_oscillator		
2	HandShake Select	Sequence execution system	string	S		
3	Model ID	Not used	string	0000		Not used
4	Device ID	Not used	string	00		Not used
5	Continue Select	Divided message system	string	NC	No divided message	
6	Parameter	Parameter				
	Enalbe	Oscillator enabled	string	0 1	Off On	
	Source	Source	string	0 1	Sine Wave Pink Noise	
	Frequency	Frequency	string	0 1 2	100Hz 1kHz 10kHz	
	Level	Level	string	0 to 121	$-\infty$ , -120 to 0dB	
	CH1					
	Assign	CH assignment	string	0 1	Off On	
	CH2					
	Assign	CH assignment	string	0 1	Off On	
	ST					

No	item	Description	type	value	value description	remarks	
		Assign	CH assignment	string	0	Off	
					1	On	
7	End Character	Message end character	binary	0x0d	CR		

[2] ACK/NAK

See Factory Default Setting Request [2].

#### 4.4.17 Oscillator Control Setting Acquisition Request

After receiving the Oscillator Control Setting Acquisition Request, the ATDM-0604a sends the USB output settings to the host via Answer.

##### [1] Get Command

In case of the Oscillator Control Setting Acquisition Request from the host, refer to the command format table below.

g\_oscillator\_O\_0000\_00\_NC\_↓

**Table 4-82 Command Format**

No	item	Description	type	value	value description	remarks
1	Command	Command string	string	g_oscillator		
2	HandShake Select	Sequence execution system	string	O		
3	Model ID	Not used	string	0000		Not used
4	Device ID	Not used	string	00		Not used
5	Continue Select	Divided message system	string	NC	No divided message	
6	Parameter	Parameter	-	-	No parameter	
7	End Character	Message end character	binary	0x0d	CR	

##### [2] Answer

Refer to the table below for Answer Command format from the ATDM-0604a.

g\_oscillator\_0000\_00\_NC\_1,1,2,121,1,1,1\_↓

**Table 4-83 Answer Command Format**

No	item	Description	type	value	value description	remarks
1	Command	Command string	string	g_oscillator		
2	Model ID	Not used	string	0000		Not used
3	Device ID	Device ID	string	00 to FF	Device ID	
4	Continue Select	Divided message system	string	NC	No divided message	
5	Parameter	Parameter				
	Enalbe	Oscillator enabled	string	0	Off	
				1	On	
	Source	Source	string	0	Sine Wave	



No	item	Description	type	value	value description	remarks	
				1	Pink Noise		
	Frequency	Frequency	string	0	100Hz		
				1	1kHz		
				2	10kHz		
	Level	Level	string	0 to 121	$-\infty$ , -120 to 0dB		
	CH1						
	Assign	CH assignment	string	0	Off		
				1	On		
	CH2						
	Assign	CH assignment	string	0	Off		
				1	On		
	ST						
	Assign	CH assignment	string	0	Off		
1				On			
6	End Character	Message end character	binary	0x0d	CR		

## 4.5 Operator Page Command Details

### 4.5.1 Operator Page Common Setting Change Request

After receiving the Operator Page Common Setting Change Request, the ATDM-0604a sends the processing results to the host via ACK or NAK.

[1] Set Command

In case of the Operator Page Common Setting Change Request from the host, refer to the command format table below.

s\_operator\_general\_S\_0000\_00\_NC\_1\_↓

**Table 4-84 Command Format**

No	item	Description	type	value	value description	remarks
1	Command	Command string	string	s_operator_general		
2	HandShake Select	Sequence execution system	string	S		
3	Model ID	Not used	string	0000		Not used
4	Device ID	Not used	string	00		Not used
5	Continue Select	Divided message system	string	NC	No divided message	
6	Parameter Array Mic Button Link	Parameter Array Mic Button Link status	string	0	Off	
				1	On	
7	End Character	Message end character	binary	0x0d	CR	

[2] ACK/NAK

See Factory Default Setting Request [2].

#### 4.5.2 Operator Page Common Setting Acquisition Request

After receiving the Operator Page Common Setting Acquisition Request, the ATDM-0604a sends the Webremote Operator common settings to the host via Answer.

[1] Get Command

In case of the Operator Page Common Setting Acquisition Request from the host, refer to the command format table below.

g\_operator\_general\_O\_0000\_00\_NC\_↵

**Table 4-85 Command Format**

No	item	Description	type	value	value description	remarks
1	Command	Command string	string	g_operator_general		
2	HandShake Select	Sequence execution system	string	O		
3	Model ID	Not used	string	0000		Not used
4	Device ID	Not used	string	00		Not used
5	Continue Select	Divided message system	string	NC	No divided message	
6	Parameter	Parameter	-	-	No parameter	
7	End Character	Message end character	binary	0x0d	CR	

[2] Answer

Refer to the table below for Answer Command format from the ATDM-0604a.

g\_operator\_general\_0000\_00\_NC\_1\_↓

**Table 4-86 Answer Command Format**

No	item	Description	type	value	value description	remarks
1	Command	Command string	string	g_operator_general		
2	Model ID	Not used	string	0000		Not used
3	Device ID	Device ID	string	00 to FF	Device ID	
4	Continue Select	Divided message system	string	NC	No divided message	
5	Parameter	Parameter				
	Array Mic Button Link	Array Mic Button Link status	string	0	Off	
				1	On	
6	End Character	Message end character	binary	0x0d	CR	

### 4.5.3 Operator Page Setting Change Request

After receiving the Operator Page Setting Change Request, the ATDM-0604a sends the processing results to the host via ACK or NAK.

[1] Set Command

In case of the Operator Page Setting Change Request from the host, refer to the command format table below.

s\_operator\_pagesettings\_S\_0000\_00\_NC\_1,6,1,1,1\_↓

**Table 4-87 Command Format**

No	item	Description	type	value	value description	remarks
1	Command	Command string	string	s_operator_pagesetting s		
2	HandShake Select	Sequence execution system	string	S		
3	Model ID	Not used	string	0000		Not used
4	Device ID	Not used	string	00		Not used
5	Continue Select	Divided message system	string	NC	No divided message	
6	Parameter	Parameter				
	Recall Preset	Recall preset enabled	string	0	Off	
				1	On	
	Num of Preset	Preset number	string	1 to 6	Preset 1 to 6	
	Fader Position Resume	Save fader value	string	0	Off	
				1	On	
	Logout Button	Logout button display	string	0	Off	
1				On		
Array Mic Button	Array Mic button display	string	0	Off		
			1	On		
7	End Character	Message end character	binary	0x0d	CR	

[2] ACK/NAK

See Factory Default Setting Request [2].

#### 4.5.4 Operator Page Setting Acquisition Request

After receiving the Operator Page Setting Acquisition Request, the ATDM-0604a sends the Webremote Operator Page settings to the host via Answer.

[1] Get Command

In case of the Operator Page Setting Acquisition Request from the host, refer to the command format table below.

g\_operator\_pagesettings\_O\_0000\_00\_NC\_↓

**Table 4-88 Command Format**

No	item	Description	type	value	value description	remarks
1	Command	Command string	string	g_operator_pagesettings		
2	HandShake Select	Sequence execution system	string	O		
3	Model ID	Not used	string	0000		Not used
4	Device ID	Not used	string	00		Not used
5	Continue Select	Divided message system	string	NC	No divided message	
6	Parameter	Parameter				
7	End Character	Message end character	binary	0x0d	CR	

[2] Answer

Refer to the table below for Answer Command format from the ATDM-0604a.

g\_operator\_pagesettings\_0000\_00\_NC\_1,6,1,1,1\_↓

**Table 4-89 Answer Command Format**

No	item	Description	type	value	value description	remarks
1	Command	Command string	string	g_operator_pagesettings		
2	Model ID	Not used	string	0000		Not used
3	Device ID	Device ID	string	00 to FF	Device ID	
4	Continue Select	Divided message system	string	NC	No divided message	
5	Parameter	Parameter				
	Recall Preset	Recall preset enabled	string	0	Off	
				1	On	
	Num of Preset	Preset number	string	1 to 6	Preset 1 to 6	
	Fader Position Resume	Save fader value	string	0	Off	
				1	On	
	Logout Button	Logout button display	string	0	Off	
1				On		
Array Mic Button	Array Mic button display	string	0	Off		
			1	On		
6	End Character	Message end character	binary	0x0d	CR	

#### 4.5.5 Operator Page Channel Setting Change Request

After receiving the Operator Page Channel Setting Change Request, the ATDM-0604a sends the processing results to the host via ACK or NAK.

##### [1] Set Command

In case of the Operator Page Channel Setting Change Request from the host, refer to the command format table below.

s\_operator\_channel\_S\_0000\_00\_NC\_8,"fader8",5,100,1,100,1,100\_↓

**Table 4-90 Command Format**

No	item	Description	type	value	value description	remarks	
1	Command	Command string	string	s_operator_channel			
2	HandShake Select	Sequence execution system	string	S			
3	Model ID	Not used	string	0000		Not used	
4	Device ID	Not used	string	00		Not used	
5	Continue Select	Divided message system	string	NC	No divided message		
6	Parameter	Parameter					
	Fader Channel	Fader channel number	string	1 to 8	Fader 1 to 8		
	Name	Fader name	char	"	Beginning of character string		
			string	ASCII code	Fader name	To contain double quotation marks ("), specify them in succession like "".	
			char	"	End of character string		
	Icon	Fader icon	string	0	Mic		
				1	Aux		
				2	PC		
				3	Chat		
				4	Spk		
				5	Rec		
	Level	Level	string	0 to 100	0 to 100	1.0step	
	Max Volume						
	Enable	On/Off	string	0	Off		
1				On			



No	item	Description	type	value	value description	remarks
		Value	Volume	string	0 to 100	0 to 100
		Min Volume				
		Enable	On/Off	string	0	Off
					1	On
		Value	Volume	string	0 to 100	0 to 100
7	End Character	Message end character	binary	0x0d	CR	

[2] ACK/NAK

See Factory Default Setting Request [2].

#### 4.5.6 Operator Page Channel Setting Acquisition Request

After receiving the Operator Page Channel Setting Acquisition Request, the ATDM-0604a sends the Webremote Operator Page Channel settings to the host via Answer.

[1] Get Command

In case of the Operator Page Channel Setting Acquisition Request from the host, refer to the command format table below.

`g_operator_channel_O_0000_00_NC_8_↓`

**Table 4-91 Command Format**

No	item	Description	type	value	value description	remarks
1	Command	Command string	string	g_operator_channel		
2	HandShake Select	Sequence execution system	string	O		
3	Model ID	Not used	string	0000		Not used
4	Device ID	Not used	string	00		Not used
5	Continue Select	Divided message system	string	NC	No divided message	
6	Parameter	Parameter				
	Fader Channel	Fader channel number	string	1 to 8	Fader 1 to 8	
7	End Character	Message end character	binary	0x0d	CR	

[2] Answer

Refer to the table below for Answer Command format from the ATDM-0604a.

`g_operator_channel_0000_00_NC_8,1,"fader8",5,100,1,100,1,100_↓`

**Table 4-92 Answer Command Format**

No	item	Description	type	value	value description	remarks
1	Command	Command string	string	g_operator_channel		
2	Model ID	Not used	string	0000		Not used
3	Device ID	Device ID	string	00 to FF	Device ID	
4	Continue Select	Divided message system	string	NC	No divided message	
5	Parameter	Parameter				
	Fader Channel	Fader channel number	string	1 to 8	Fader 1 to 8	
	Name	Fader name	char	"	Beginning of character string	
			string	ASCII code	Fader name	To contain double

No	item	Description	type	value	value description	remarks
						quotation marks ("), specify them in succession like "".
			char	"	End of character string	
	Icon	Fader icon	string	0	Mic	
				1	Aux	
				2	PC	
				3	Chat	
				4	Spk	
				5	Rec	
	Level	Level	string	0 to 100	0 to 100	1.0step
	Max Volume					
	Enable	On/Off	string	0	Off	
				1	On	
	Value	Volume	string	0 to 100	0 to 100	
	Min Volume					
	Enable	On/Off	string	0	Off	
				1	On	
	Value	Volume	string	0 to 100	0 to 100	
6	End Character	Message end character	binary	0x0d	CR	

#### 4.5.7 Operator Page Assign Channel Setting Change Request

After receiving the Operator Page Assign Channel Setting Change Request, the ATDM-0604a sends the processing results to the host via ACK or NAK.

##### [1] Set Command

In case of the Operator Page Assign Channel Setting Change Request from the host, refer to the command format table below.

s\_operator\_assign\_S\_0000\_00\_NC\_8,2,1,0,1,1,1,1,1,1,1,1\_↓

**Table 4-93 Command Format**

No	item	Description	type	value	value description	remarks
1	Command	Command string	string	s_operator_assign		
2	HandShake Select	Sequence execution system	string	S		
3	Model ID	Not used	string	0000		Not used
4	Device ID	Not used	string	00		Not used
5	Continue Select	Divided message system	string	NC	No divided message	
6	Parameter	Parameter				
	Fader Channel	Fader channel number	string	1 to 8	Fader 1 to 8	
	Channel Type	Channel type	string	0	Input	
				1	Output	
				2	Group	
	Show Mute	Mute button display	string	0	Off	
				1	On	
	Show Fader	Fader display	string	0	Off	
				1	On	
	Level1	Input 1/Output 1/Group A	string	0	Off	
				1	On	
	Level2	Input 2/Output 2/Group B	string	0	Off	
				1	On	
	Level3	Input 3/Output ST/Group C	string	0	Off	
				1	On	
	Level4	Input 4/-/Group D	string	0	Off	
				1	On	
	Level5	Input 5/-/Group E	string	0	Off	
				1	On	

No	item	Description	type	value	value description	remarks
	Level6	Input 6/-/Group F	string	0	Off	
				1	On	
	Level7	Input ST/-/Group G	string	0	Off	
				1	On	
	Level8	-/-/Group H	string	0	Off	
				1	On	
7	End Character	Message end character	binary	0x0d	CR	

[2] ACK/NAK

See Factory Default Setting Request [2].

#### 4.5.8 Operator Page Assign Channel Setting Acquisition Request

After receiving the Operator Page Assign Channel Setting Acquisition Request, the ATDM-0604a sends the Webremote Operator Page Channel settings to the host via Answer.

[1] Get Command

In case of the Operator Page Assign Channel Setting Acquisition Request from the host, refer to the command format table below.

g\_operator\_assign\_O\_0000\_00\_NC\_8\_↓

**Table 4-94 Command Format**

No	item	Description	type	value	value description	remarks
1	Command	Command string	string	g_operator_assign		
2	HandShake Select	Sequence execution system	string	O		
3	Model ID	Not used	string	0000		Not used
4	Device ID	Not used	string	00		Not used
5	Continue Select	Divided message system	string	NC	No divided message	
6	Parameter	Parameter				
	Fader Channel	Fader channel number	string	1 to 8	Fader 1 to 8	
7	End Character	Message end character	binary	0x0d	CR	

[2] Answer

Refer to the table below for Answer Command format from the ATDM-0604a.

g\_operator\_assign\_0000\_00\_NC\_8,2,1,1,1,1,1,1,1,1\_↓

**Table 4-95 Answer Command Format**

No	item	Description	type	value	value description	remarks
1	Command	Command string	string	g_operator_assign		
2	Model ID	Not used	string	0000		Not used
3	Device ID	Device ID	string	00 to FF	Device ID	
4	Continue Select	Divided message system	string	NC	No divided message	
5	Parameter	Parameter				
	Fader Channel	Fader channel number	string	1 to 8	Fader 1 to 8	
	Channel Type	Channel type	string	0	Input	
				1	Output	
				2	Group	

No	item	Description	type	value	value description	remarks
	Show Mute	Mute button display	string	0	Off	
				1	On	
	Show Fader	Fader display	string	0	Off	
				1	On	
	Level1	Input 1/Output 1/Group A	string	0	Off	
				1	On	
	Level2	Input 2/Output 2/Group B	string	0	Off	
				1	On	
	Level3	Input 3/Output ST/Group C	string	0	Off	
				1	On	
	Level4	Input 4/-/Group D	string	0	Off	
				1	On	
	Level5	Input 5/-/Group E	string	0	Off	
				1	On	
	Level6	Input 6/-/Group F	string	0	Off	
				1	On	
	Level7	Input ST/-/Group G	string	0	Off	
				1	On	
Level8	-/-/Group H	string	0	Off		
			1	On		
6	End Character	Message end character	binary	0x0d	CR	

#### 4.5.9 Operator Page Channel Mute Request

After receiving the Operator Page Channel Mute Request, the ATDM-0604a sends the processing results to the host via ACK or NAK.

[1] Set Command

In case of the Operator Page Channel Mute Request from the host, refer to the command format table below.

s\_operator\_mute\_S\_0000\_00\_NC\_8,1\_↵

**Table 4-96 Command Format**

No	item	Description	type	value	value description	remarks
1	Command	Command string	string	s_operator_mute		
2	HandShake Select	Sequence execution system	string	S		
3	Model ID	Not used	string	0000		Not used
4	Device ID	Not used	string	00		Not used
5	Continue Select	Divided message system	string	NC	No divided message	
6	Parameter	Parameter				
	Fader Channel	Fader channel number	string	1 to 8	Fader 1 to 8	
	Mute	Mute status	string	0 1	Mute disabled Mute enabled	
7	End Character	Message end character	binary	0x0d	CR	

[2] ACK/NAK

See Factory Default Setting Request [2].



#### 4.5.10 Array Mic Mute Control Request

After receiving the Array Mic Mute Control Request, the ATDM-0604a sends the processing results to the host via ACK or NAK.

##### [1] Set Command

In case of the Array Mic Mute Control Request from the host, refer to the command format table below.

s\_arraymic\_mute\_S\_0000\_00\_NC\_1,1↵

**Table 4-97 Command Format**

No	item	Description	type	value	value description	remarks
1	Command	Command string	string	s_arraymic_mute		
2	HandShake Select	Sequence execution system	string	S		
3	Model ID	Not used	string	0000		Not used
4	Device ID	Not used	string	00		Not used
5	Continue Select	Divided message system	string	NC	No divided message	
6	Parameter	Parameter	string	0	Not muted	
				1	Muted	
	Virtual Mic	Virtual Mic	string	0	Virtual Mic 1	
				1	Virtual Mic 2	
7	End Character	Message end character	binary	0x0d	CR	

##### [2] ACK/NAK

See Factory Default Setting Request [2].

#### 4.5.11 Array Mic Mute Status Acquisition Request

After receiving the Array Mic Mute Status Acquisition Request, the ATDM-0604a sends the Array Mic Mute status to the host via Answer.

##### [1] Get Command

In case of the Array Mic Mute Status Acquisition Request from the host, refer to the command below.

g\_arraymic\_mute\_O\_0000\_00\_NC\_1\_↓

**Table 4-98 Command Format**

No	item	Description	type	value	value description	remarks		
1	Command	Command string	string	g_arraymic_mute				
2	HandShake Select	Sequence execution system	string	O				
3	Model ID	Not used	string	0000		Not used		
4	Device ID	Not used	string	00		Not used		
5	Continue Select	Divided message system	string	NC	No divided message			
6	Parameter	Parameter						
			Virtual Mic	Virtual Mic	string	0	Virtual Mic 1	
						1	Virtual Mic 2	
7	End Character	Message end character	binary	0x0d	CR			

[2] Answer

Refer to the table below for Answer Command format from the ATDM-0604a.

g\_arraymic\_mute\_0000\_00\_NC\_1,1\_↓

**Table 4-99 Answer Command Format**

No	item	Description	type	value	value description	remarks
1	Command	Command string	string	g_audio_system		
2	Model ID	Not used	string	0000		Not used
3	Device ID	Device ID	string	00 to FF	Device ID	
4	Continue Select	Divided message system	string	NC	No divided message	
5	Parameter	Parameter				
	Mute	Mute status	string	0	Not muted	
				1	Muted	
	Virtual Mic	Virtual Mic	string	0	Virtual Mic 1	
1				Virtual Mic 2		
6	End Character	Message end character	binary	0x0d	CR	

## 4.6 System Command Details

### 4.6.1 Factory Default Setting Request

After receiving the Factory Default Setting Request, the ATDM-0604a sends the processing results to the host via ACK or NAK.

[1] Set Command

In case of the Factory Default Setting Request from the host, refer to the command format table below.

factory\_settings\_S\_0000\_00\_NC\_0\_↵

**Table 4-100 Command Format**

No	item	Description	type	value	value description	remarks
1	Command	Command string	string	factory_settings		
2	HandShake Select	Sequence execution system	string	S		
3	Model ID	Not used	string	0000		Not used
4	Device ID	Not used	string	00		Not used
5	Continue Select	Divided message system	string	NC	No divided message	
6	Parameter	Parameter				
	Reset Item	Reset items				
	All Setting to Default.	All settings	string	0	All Reset	
7	End Character	Message end character	binary	0x0d	CR	

[2] ACK/NAK

factory\_settings\_␣ACK\_␣↓

**Table 4-101 Command Format**

No	item	Description	type	value	value description	remarks
1	Command	Command string	string	factory_settings		Received Set/Get command is set.
2	ACK	ACK	string	ACK		
3	End Character	Message end character	binary	0x0d	CR	

factory\_settings\_␣NAK\_␣01\_␣↓

**Table 4-102 Command Format**

No	item	Description	type	value	value description	remarks
1	Command	Command string	string	factory_settings		Received Set/Get command is set.
2	NAK	NAK	string	NAK		
3	Error Code	Error code	string	00 to 99	Error code	See Chapter 2.2.4.
4	End Character	Message end character	binary	0x0d	CR	

#### 4.6.2 Permission Setting Change Request

After receiving the Permission Setting Change Request, the ATDM-0604a sends the processing results to the host via ACK or NAK.

[1] Set Command

In case of the Permission Setting Change Request from the host, refer to the command format table below.

s\_permission\_S\_0000\_00\_NC\_ "ATDM-0604a",0,,,,,,,,,↓

**Table 4-103 Command Format**

No	item	Description	type	value	value description	remarks	
1	Command	Command string	string	s_permission			
2	HandShake Select	Sequence execution system	string	S			
3	Model ID	Not used	string	0000		Not used	
4	Device ID	Not used	string	00		Not used	
5	Continue Select	Divided message system	string	NC	No divided message		
6	Parameter	Parameter					
	Device Name	Device name	char	"	Beginning of character string		
			string	ASCII code	Device name	To contain double quotation marks ("), specify them in succession like "".	
			char	"	End of character string		
	Administrator						
	Password require	Password requirement at login	string	0	Password not required		
				1	Password required		
	password	Password	string	alphanumeric character		If omitted, the password is not specified.	
	Reserved						
	Reserved	Reserved	string				Not used
	Reserved	Reserved	string				Not used
	Reserved						
	Reserved	Reserved	string				Not used
	Reserved	Reserved	string				Not used
	Reserved	Reserved	string				Not used
	Reserved	Reserved	string				Not used

No	item	Description	type	value	value description	remarks
		Reserved	Reserved	string		Not used
7	End Character	Message end character	binary	0x0d	CR	

[2] ACK/NAK

See Factory Default Setting Request [2].

### 4.6.3 Permission Setting Acquisition Request

After receiving the Permission Setting Acquisition Request, the ATDM-0604a sends the permission settings to the host via Answer.

[1] Get Command

In case of the Permission Setting Acquisition Request from the host, refer to the command format table below.

g\_permission\_O\_0000\_00\_NC\_↵

**Table 4-104 Command Format**

No	item	Description	type	value	value description	remarks
1	Command	Command string	string	g_permission		
2	HandShake Select	Sequence execution system	string	O		
3	Model ID	Not used	string	0000		Not used
4	Device ID	Not used	string	00		Not used
5	Continue Select	Divided message system	string	NC	No divided message	
6	Parameter	Parameter	-	-	No parameter	
7	End Character	Message end character	binary	0x0d	CR	



[2] Answer

Refer to the table below for Answer Command format from the ATDM-0604a.

g\_permission\_0000\_00\_NC\_ "ATDM-0604a",0,,,,,,,,\_↓

**Table 4-105 Answer Command Format**

No	item	Description	type	value	value description	remarks	
1	Command	Command string	string	g_permission			
2	Model ID	Not used	string	0000		Not used	
3	Device ID	Device ID	string	00 to FF	Device ID		
4	Continue Select	Divided message system	string	NC	No divided message		
5	Parameter	Parameter	string				
	Device Name	Device name	char	"	Beginning of character string		
			string	ASCII code	Device name	To contain double quotation marks ("), specify them in succession like "".	
			char	"	End of character string		
	Administrator						
	Password require	Password requirement at login		string	0	Password not required	
					1	Password required	
	password	Password		string	alphanumeric character		If omitted, the password is not specified.
	Reserved						
		Reserved	Reserved		string		Not used
		Reserved	Reserved		string		Not used
	Reserved						
		Reserved	Reserved		string		Not used
		Reserved	Reserved		string		Not used
		Reserved	Reserved		string		Not used
	Reserved	Reserved		string		Not used	
	Reserved	Reserved		string		Not used	
6	End Character	Message end character	binary	0x0d	CR		

#### 4.6.4 Network Setting Change Request

After receiving the Network Setting Change Request, the ATDM-0604a sends the processing results to the host via ACK or NAK.

If the network settings are changed, the ATDM-0604a needs to be rebooted.

[1] Set Command

In case of the Network Setting Change Request from the host, refer to the command format table below.

s\_network\_S\_0000\_00\_NC\_1,192.168.033.102,255.255.000.000,,1,17300,1,1,239.  
000.000.100,17000,0,,,,0,,,,↵

**Table 4-106 Command Format**

No	item	Description	type	value	value description	remarks
1	Command	Command string	string	s_network		
2	HandShake Select	Sequence execution system	string	S		
3	Model ID	Not used	string	0000		Not used
4	Device ID	Not used	string	00		Not used
5	Continue Select	Divided message system	string	NC	No divided message	
6	Parameter	Parameter				
	IP setting					
	IP config mode	IP address configuration mode	string	0 1	Auto Static	
	IP address	IP address	string	000.000.000.000 to 255.255.255.255	IP address	
	Subnet mask	Subnet mask	string	000.000.000.000 to 255.255.255.255	Subnet mask	
	Gateway address	Default gateway	string	000.000.000.000 to 255.255.255.255	Default gateway	
	Allow Discovery	UPnP	string	0	Not detect	

No	item	Description	type	value	value description	remarks
				1	Detect	
	IP control setting					
	Port Number	TCP/IP port number	string	1 to 65535	Port number	
	Notification	Information transmission	string	0	Not use	
				1	Use	
	Audio Level Notification	Audio Level Information transmission	string	0	Not use	
				1	Use	
	Multicast address	Multicast group address	string	000.000.000.000 to 255.255.255.255	IP address	
	Multicast port number	Multicast port number	string	1 to 65535	Port number	
	NTP setting					
	Enabled	NTP use	string	0	Not use	
				1	Use	
	NTP server address	NTP server address	string	000.000.000.000 to 255.255.255.255	IP address	
	NTP port number	NTP server port number	string	1 to 65535	Port number	
	Time Zone	Difference from GMT	string	-1200 to +1400	±HHMM (Units: 30 minutes)	
	Daylight saving time	Daylight saving time	string	0	Not use	
				1	Use	
	Start Date	Start date of daylight saving time	string	01010000 to 12312300	MMDDHHmm (Units: 1 hour)	
	End Date	End date of daylight saving time	string	01010000 to 12312300	MMDDHHmm (Units: 1 hour)	
	Reserved					
	Reserved	Reserved	string			Not used
	Reserved	Reserved	string			Not used
7	End Character	Message end character	binary	0x0d	CR	

[2] ACK/NAK

See Factory Default Setting Request [2].

#### 4.6.5 Network Setting Acquisition Request

After receiving the Network Setting Acquisition Request, the ATDM-0604a sends the network settings to the host via Answer.

[1] Get Command

In case of the Network Setting Acquisition Request from the host, refer to the command format table below.

g\_network\_O\_0000\_00\_NC\_↵

**Table 4-107 Command Format**

No	item	Description	type	value	value description	remarks
1	Command	Command string	string	g_network		
2	HandShake Select	Sequence execution system	string	O		
3	Model ID	Not used	string	0000		Not used
4	Device ID	Not used	string	00		Not used
5	Continue Select	Divided message system	string	NC	No divided message	
6	Parameter	Parameter	-	-	No parameter	
7	End Character	Message end character	binary	0x0d	CR	

[2] Answer

Refer to the table below for Answer Command format from the ATDM-0604a.

g\_network\_0000\_00\_NC\_1,192.168.033.102,255.255.000.000,,0005CDC102FA,1,17  
 300,1,1,239.000.000.100,17000,0,,,,0,,,,\_↓

**Table 4-108 Answer Command Format**

No	item	Description	type	value	value description	remarks
1	Command	Command string	string	s_network		
2	Model ID	Not used	string	0000		Not used
3	Device ID	Device ID	string	00 to FF	Device ID	
4	Continue Select	Divided message system	string	NC	No divided message	
5	Parameter	Parameter				
	IP setting					
	IP config mode	IP address configuration mode	string	0 1	Auto Static	
	IP address	IP address	string	000.000.000.000 to 255.255.255.255	IP address	
	Subnet mask	Subnet mask	string	000.000.000.000 to 255.255.255.255	Subnet mask	
	Gateway address	Default gateway	string	000.000.000.000 to 255.255.255.255	Default gateway	
	MAC address	MAC address	string	XXXXXXXXXXXX	MAC address	
	Allow Discovery	UPnP	string	0 1	Not detect Detect	
	IP control setting					
	Port Number	TCP/IP port number	string	1 to 65535	Port number	
	Notification	Information transmission	string	0 1	Not use Use	
	Audio Level Notification	Audio Level Information transmission	string	0 1	Not use Use	
	Multicast address	Multicast group address	string	000.000.000.000 to 255.255.255.255	IP address	
	Multicast port number	Multicast port number	string	1 to 65535	Port number	
	NTP setting					

No	item	Description	type	value	value description	remarks
	Enabled	NTP use	string	0	Not use	
				1	Use	
	NTP server address	NTP server address	string	000.000.000.000 to 255.255.255.255	IP address	
	NTP port number	NTP server port number	string	1 to 65535	Port number	
	Time Zone	Difference from GMT	string	-1200 to +1400	±HHMM (Units: 30 minutes)	
	Daylight saving time	Daylight saving time	string	0	Not use	
				1	Use	
	Start Date	Start date of daylight saving time	string	01010000 to 12312300	MMDDHHmm (Units: 1 hour)	
	End Date	End date of daylight saving time	string	01010000 to 12312300	MMDDHHmm (Units: 1 hour)	
	Reserved					
	Reserved	Reserved	string			
	Reserved	Reserved	string			
6	End Character	Message end character	binary	0x0d	CR	

#### 4.6.6 Firmware Version Acquisition Request

After receiving the Firmware Version Acquisition Request, the ATDM-0604a sends the device firmware version to the host via Answer.

##### [1] Get Command

In case of the Firmware Version Acquisition Request from the host, refer to the command format table below.

g\_firmware\_version\_0\_0000\_00\_NC\_↓

**Table 4-109 Command Format**

No	item	Description	type	value	value description	remarks
1	Command	Command string	string	g_firmware_version		
2	HandShake Select	Sequence execution system	string	0		
3	Model ID	Not used	string	0000		Not used
4	Device ID	Not used	string	00		Not used
5	Continue Select	Divided message system	string	NC	No divided message	
6	Parameter	Parameter	-	-	No parameter	
7	End Character	Message end character	binary	0x0d	CR	

##### [2] Answer

Refer to the table below for Answer Command format from the ATDM-0604a.

g\_firmware\_version\_0000\_00\_NC\_01.00.00\_↓

**Table 4-110 Answer Command Format**

No	item	Description	type	value	value description	remarks
1	Command	Command string	string	g_firmware_version		
2	Model ID	Not used	string	0000		Not used
3	Device ID	Device ID	string	00 to FF	Device ID	
4	Continue Select	Divided message system	string	NC	No divided message	
5	Parameter	Parameter				
	version	Version	string	XX.XX.XX	Version	
6	End Character	Message end character	binary	0x0d	CR	

#### 4.6.7 Header Color Setting Change Request

After receiving the Header Color Setting Change Request, the ATDM-0604a sends the processing results to the host via ACK or NAK.

[1] Get Command

In case of the Header Color Setting Change Request from the host, refer to the command below.

s\_header\_color\_S\_0000\_00\_NC\_6\_↵

**Table 4-111 Command Format**

No	item	Description	type	value	value description	remarks
1	Command	Command string	string	s_header_color		
2	HandShake Select	Sequence execution system	string	S		
3	Model ID	Not used	string	0000		Not used
4	Device ID	Not used	string	00		Not used
5	Continue Select	Divided message system	string	NC	No divided message	
6	Parameter	Header color	string			
				0	White	
				1	Green	
				2	Yellow	
				3	Orange	
				4	Purple	
				5	Blue	
6	Cyan					
7	End Character	Message end character	binary	0x0d	CR	

[2] ACK/NAK

See Factory Default Setting Request [2].



#### 4.6.8 Header Color Setting Acquisition Request

After receiving the Header Color Setting Acquisition Request, the ATDM-0604a sends the header color settings to the host via Answer.

[1] Get Command

In case of the Header Color Setting Acquisition Request from the host, refer to the command below.

g\_header\_color\_O\_0000\_00\_NC\_↵

**Table 4-112 Command Format**

No	item	Description	type	value	value description	remarks
1	Command	Command string	string	g_header_color		
2	HandShake Select	Sequence execution system	string	O		
3	Model ID	Not used	string	0000		Not used
4	Device ID	Not used	string	00		Not used
5	Continue Select	Divided message system	string	NC	No divided message	
6	Parameter	Parameter	-	-	No parameter	
7	End Character	Message end character	binary	0x0d	CR	

[2] Answer

Refer to the table below for Answer Command format from the ATDM-0604a.

g\_header\_color\_0000\_00\_NC\_6\_↓

**Table 4-113 Answer Command Format**

No	item	Description	type	value	value description	remarks
1	Command	Command string	string	g_header_color		
2	Model ID	Not used	string	0000		Not used
3	Device ID	Device ID	string	00 to FF	Device ID	
4	Continue Select	Divided message system	string	NC	No divided message	
5	Parameter Header Color	Parameter Header color	string	0	White	
				1	Green	
				2	Yellow	
				3	Orange	
				4	Purple	
				5	Blue	
				6	Cyan	
6	End Character	Message end character	binary	0x0d	CR	

#### 4.6.9 AT-LINK Mode Setting Change Request

After receiving the AT-LINK Mode Setting Change Request, the ATDM-0604a sends the processing results to the host via ACK or NAK.

[1] Set Command

In case of the AT-LINK Mode Setting Change Request from the host, refer to the command format table below.

s\_link\_S\_0000\_00\_NC\_1\_↓

**Table 4-114 Command Format**

No	item	Description	type	value	value description	remarks
1	Command	Command string	string	s_link		
2	HandShake Select	Sequence execution system	string	S		
3	Model ID	Not used	string	0000		Not used
4	Device ID	Not used	string	00		Not used
5	Continue Select	Divided message system	string	NC	No divided message	
6	Parameter	Parameter				
			AT-Link Mode	Audio-Technica Link mode	string	0
				1	Primary	
7	End Character	Message end character	binary	0x0d	CR	

[2] ACK/NAK

See Factory Default Setting Request [2].

#### 4.6.10 AT-LINK Mode Setting Acquisition Request

After receiving the AT-LINK Mode Setting Acquisition Request, the ATDM-0604a sends the AT-Link settings to the host via Answer.

[1] Get Command

In case of the AT-LINK Mode Setting Acquisition Request from the host, refer to the command below.

g\_link\_O\_0000\_00\_NC\_↵

**Table 4-115 Command Format**

No	item	Description	type	value	value description	remarks
1	Command	Command string	string	g_link		
2	HandShake Select	Sequence execution system	string	O		
3	Model ID	Not used	string	0000		Not used
4	Device ID	Not used	string	00		Not used
5	Continue Select	Divided message system	string	NC	No divided message	
6	Parameter	Parameter	-	-	No parameter	
7	End Character	Message end character	binary	0x0d	CR	

[2] Answer

Refer to the table below for Answer Command format from the ATDM-0604a.

g\_link\_0000\_00\_NC\_1\_↵

**Table 4-116 Answer Command Format**

No	Item	Description	type	value	value description	remarks
1	Command	Command string	string	g_link		
2	Model ID	Not used	string	0000		Not used
3	Device ID	Device ID	string	00 to FF	Device ID	
4	Continue Select	Divided message system	string	NC	No divided message	
5	Parameter	Parameter	string	0	Extention	
				1	Primary	
6	End Character	Message end character	binary	0x0d	CR	

#### 4.6.11 AT-LINK Status Acquisition Request

After receiving the AT-LINK Status Acquisition Request, the ATDM-0604a sends the extension information to the host via Answer.

[1] Get Command

In case of the AT-LINK Status Acquisition Request from the host, refer to the command below.

`g_link_extstatus_O_0000_00_NC_7_↓`

**Table 4-117 Command Format**

No	item	Description	type	value	value description	remarks
1	Command	Command string	string	g_link_extstatus		
2	HandShake Select	Sequence execution system	string	O		
3	Model ID	Not used	string	0000		Not used
4	Device ID	Not used	string	00		Not used
5	Continue Select	Divided message system	string	NC	No divided message	
6	Parameter	Parameter				
	Extension	Extension number	string	1 to 7	Extension 1 to Extension 7	
7	End Character	Message end character	binary	0x0d	CR	

[2] Answer

Refer to the table below for Answer Command format from the ATDM-0604a.

`g_link_extstatus_0000_00_NC_7," ATDM-0604a" ,00000001,01.00.00_↵`

**Table 4-118 Answer Command Format**

No	item	Description	type	Value	value description	remarks
1	Command	Command string	string	g_link_extstatus		
2	Model ID	Not used	string	0000		Not used
3	Device ID	Device ID	string	00 to FF	Device ID	
4	Continue Select	Divided message system	string	NC	No divided message	
5	Parameter	Parameter				
	Extention	Extension number	string	1 to 7	Extension 1 to Extension 7	
	Device Name	Device name	char	"	Beginning of character string	
			string	ASCII code	Device name	To contain double quotation marks ("), specify them in succession like "".
			char	"	End of character string	
	Serial	Serial number	string	00000000 to 99999999	Serial number	
version	Version	string	XX.XX.XX	Version		
6	End Character	Message end character	binary	0x0d	CR	

#### 4.6.12 Connected Device Restriction Setting Change Request

After receiving the Connected Device Restriction Setting Change Request, the ATDM-0604a sends the processing results to the host via ACK or NAK.

[1] Set Command

In case of the Connected Device Restriction Setting Change Request from the host, refer to the command format table below.

s\_connected\_limit\_S\_0000\_00\_NC\_1,255.000.000.001,255.000.000.002,255.000.000.003,255.000.000.004,255.000.000.005 ↵

**Table 4-119 Command Format**

No	item	Description	type	value	value description	remarks
1	Command	Command string	string	s_connected_limit		
2	HandShake Select	Sequence execution system	string	S		
3	Model ID	Not used	string	0000		Not used
4	Device ID	Not used	string	00		Not used
5	Continue Select	Divided message system	string	NC	No divided message	
6	Parameter	Parameter				
	Device Access permission					
	Restrict Access	Access permission	string	0	Not permit	
				1	Permit	
	Permission IP1	Permitted IP address 1	string	000.000.000.000 to 255.255.255.255	Permitted IP address 1	
	Permission IP2	Permitted IP address 2	string	000.000.000.000 to 255.255.255.255	Permitted IP address 2	
	Permission IP3	Permitted IP address 3	string	000.000.000.000 to 255.255.255.255	Permitted IP address 3	
	Permission IP4	Permitted IP address 4	string	000.000.000.000 to 255.255.255.255	Permitted IP address 4	
	Permission IP5	Permitted IP address 5	string	000.000.000.000 to 255.255.255.255	Permitted IP address 5	



No	item	Description	type	value	value description	remarks
7	End Character	Message end character	binary	0x0d	CR	

[2] ACK/NAK

See Factory Default Setting Request [2].

#### 4.6.13 Connected Device Restriction Setting Acquisition Request

After receiving the Connected Device Restriction Setting Acquisition Request, the ATDM-0604a sends the connected device restriction settings to the host via Answer.

[1] Get Command

In case of the Connected Device Restriction Setting Acquisition Request from the host, refer to the command below.

g\_connected\_limit\_O\_0000\_00\_NC\_↓

**Table 4-120 Command Format**

No	item	Description	type	value	value description	remarks
1	Command	Command string	string	g_connected_limit		
2	HandShake Select	Sequence execution system	string	O		
3	Model ID	Not used	string	0000		Not used
4	Device ID	Not used	string	00		Not used
5	Continue Select	Divided message system	string	NC	No divided message	
6	Parameter	Parameter	-	-	No parameter	
7	End Character	Message end character	binary	0x0d	CR	

[2] Answer

Refer to the table below for Answer Command format from the ATDM-0604a.

g\_connected\_limit\_0000\_00\_NC\_1,255.000.000.001,255.000.000.002,255.000.000.003,255.000.000.004,255.000.000.005\_↓

**Table 4-121 Answer Command Format**

No	item	Description	type	value	value description	remarks
1	Command	Command string	string	g_connected_limit		
2	Model ID	Not used	string	0000		Not used
3	Device ID	Device ID	string	00 to FF	Device ID	
4	Continue Select	Divided message system	string	NC	No divided message	
5	Parameter	Parameter				
	Device Access permission					
	Restrict Access	Access permission	string	0	Not use	
				1	Use	
	Permission IP1	Permitted IP address 1	string	000.000.000.000 to 255.255.255.255	Permitted IP address 1	
	Permission IP2	Permitted IP address 2	string	000.000.000.000 to 255.255.255.255	Permitted IP address 2	
	Permission IP3	Permitted IP address 3	string	000.000.000.000 to 255.255.255.255	Permitted IP address 3	
	Permission IP4	Permitted IP address 4	string	000.000.000.000 to 255.255.255.255	Permitted IP address 4	
	Permission IP5	Permitted IP address 5	string	000.000.000.000 to 255.255.255.255	Permitted IP address 5	
6	End Character	Message end character	binary	0x0d	CR	

#### 4.6.14 Audio System Setting Change Request

After receiving the Audio System Setting Change Request, the ATDM-0604a sends the processing results to the host via ACK or NAK.

##### [1] Set Command

In case of the Audio System Setting Change Request from the host, refer to the command format table below.

s\_audio\_system\_S\_0000\_00\_NC\_1,2,1,1,1,1,1,1,1,1,1\_↓

**Table 4-122 Command Format**

No	item	Description	type	value	value description	remarks
1	Command	Command string	string	s_audio_system		
2	HandShake Select	Sequence execution system	string	S		
3	Model ID	Not used	string	0000		Not used
4	Device ID	Not used	string	00		Not used
5	Continue Select	Divided message system	string	NC	No divided message	
6	Parameter	Parameter				
	Gain Unit Type	Gain unit	string	0	dBu/dBV	
				1	dB	
	Delay Unit Type	Delay unit	string	0	ms	
				1	M	
				2	Ft	
	Output Flip	Output flip setting	string	0	Off	
				1	On	
	Input EQ/DYN	Input channel EQ/Dyn display setting	string	0	EQ	
				1	Dyn	
	Virtual Mic Mode	Virtual Mic mode	string	0	Off	
				1	Virtual Mic	
	GPO 1					
	Enabled	GPO enable/disable	string	0	Disable	
				1	Enable	
	mute	Mute open/close	string	0	Close	
				1	Open	
	unmute	Unmute open/close	string	0	Close	

No	item	Description	type	value	value description	remarks
				1	Open	
	GPO 2					
	Enabled	GPO enable/disable	string	0	Disable	
				1	Enable	
	mute	Mute open/close	string	0	Close	
				1	Open	
	unmute	Unmute open/close	string	0	Close	
				1	Open	
7	End Character	Message end character	binary	0x0d	CR	

[2] ACK/NAK

See Factory Default Setting Request [2].

#### 4.6.15 Audio System Setting Acquisition Request

After receiving the Audio System Setting Acquisition Request, the ATDM-0604a sends the Audio System settings to the host via Answer.

[1] Get Command

In case of the Audio System Setting Acquisition Request from the host, refer to the command below.

g\_audio\_system\_O\_0000\_00\_NC\_↵

**Table 4-123 Command Format**

No	item	Description	type	value	value description	remarks
1	Command	Command string	string	g_audio_system		
2	HandShake Select	Sequence execution system	string	O		
3	Model ID	Not used	string	0000		Not used
4	Device ID	Not used	string	00		Not used
5	Continue Select	Divided message system	string	NC	No divided message	
6	Parameter	Parameter	-	-	No parameter	
7	End Character	Message end character	binary	0x0d	CR	

[2] Answer

Refer to the table below for Answer Command format from the ATDM-0604a.

g\_audio\_system\_0000\_00\_NC\_1,2,1,1,1,1,1,1,1,1\_↓

**Table 4-124 Answer Command Format**

No	Item	Description	type	value	value description	remarks	
1	Command	Command string	string	g_audio_system			
2	Model ID	Not used	string	0000		Not used	
3	Device ID	Device ID	string	00 to FF	Device ID		
4	Continue Select	Divided message system	string	NC	No divided message		
5	Parameter	Parameter					
	Gain Unit Type	Gain unit	string	0	dBu/dBV		
				1	dB		
	Delay Unit Type	Delay unit	string	0	ms		
				1	M		
				2	Ft		
	Output Flip	Output flip setting	string	0	Off		
				1	On		
	Input EQ/DYN	Input channel EQ/Dyn display setting	string	0	EQ		
				1	Dyn		
	Virtual Mic Mode	Virtual Mic mode	string	0	Off		
				1	Virtual Mic		
	GPO 1						
	Enabled	GPO enable/disable	string	0	Disable		
				1	Enable		
	mute	Mute open/close	string	0	Close		
				1	Open		
	unmute	Unmute open/close	string	0	Close		
				1	Open		
	GPO 2						
Enabled	GPO enable/disable	string	0	Disable			
			1	Enable			

No	Item	Description	type	value	value description	remarks
		mute	string	0	Close	
				1	Open	
		unmute	string	0	Close	
				1	Open	
6	End Character	Message end character	binary	0x0d	CR	



#### 4.6.16 Front Panel Setting Change Request

After receiving the Front Panel Setting Change Request, the ATDM-0604a sends the processing results to the host via ACK or NAK.

##### [1] Set Command

In case of the Front Panel Setting Change Request from the host, refer to the command format table below.

s\_front\_panel\_S\_0000\_00\_NC\_1,1\_↓

**Table 4-125 Command Format**

No	item	Description	type	value	value description	remarks
1	Command	Command string	string	s_front_panel		
2	HandShake Select	Sequence execution system	string	S		
3	Model ID	Not used	string	0000		Not used
4	Device ID	Not used	string	00		Not used
5	Continue Select	Divided message system	string	NC	No divided message	
6	Parameter	Parameter				
				Recall Preset	Preset call setting	string
				1	Enable	
	LED Dimmer	LED dimmer setting	string	0	Disable	
			1	Enable		
7	End Character	Message end character	binary	0x0d	CR	

##### [2] ACK/NAK

See Factory Default Setting Request [2].

#### 4.6.17 Front Panel Setting Acquisition Request

After receiving the Front Panel Setting Acquisition Request, the ATDM-0604a sends the front panel control settings to the host via Answer.

[1] Get Command

In case of the Front Panel Setting Acquisition Request from the host, refer to the command below.

g\_front\_panel\_O\_0000\_00\_NC\_↵

**Table 4-126 Command Format**

No	item	Description	type	value	value description	remarks
1	Command	Command string	string	g_front_panel		
2	HandShake Select	Sequence execution system	string	O		
3	Model ID	Not used	string	0000		Not used
4	Device ID	Not used	string	00		Not used
5	Continue Select	Divided message system	string	NC	No divided message	
6	Parameter	Parameter	-	-	No parameter	
7	End Character	Message end character	binary	0x0d	CR	

[2] Answer

Refer to the table below for Answer Command format from the ATDM-0604a.

g\_front\_panel\_0000\_00\_NC\_1,1\_↓

**Table 4-127 Answer Command Format**

No	item	Description	type	value	value description	remarks
1	Command	Command string	string	g_front_panel		
2	Model ID	Not used	string	0000		Not used
3	Device ID	Device ID	string	00 to FF	Device ID	
4	Continue Select	Divided message system	string	NC	No divided message	
5	Parameter	Parameter				
	Recall Preset	Preset call setting	string	0	Disable	
				1	Enable	
	LED Dimmer	LED dimmer setting	string	0	Disable	
1				Enable		
6	End Character	Message end character	binary	0x0d	CR	

#### 4.6.18 Front Panel Function Setting Change Request

After receiving the Front Panel Function Setting Change Request, the ATDM-0604a sends the processing results to the host via ACK or NAK.

##### [1] Set Command

In case of the Front Panel Function Setting Change Request from the host, refer to the command format table below.

s\_front\_panel\_limit\_S\_0000\_00\_NC\_1,1,8,1↵

**Table 4-128 Command Format**

No	item	Description	type	value	value description	remarks
1	Command	Command string	string	s_front_panel_limit		
2	HandShake Select	Sequence execution system	string	S		
3	Model ID	Not used	string	0000		Not used
4	Device ID	Not used	string	00		Not used
5	Continue Select	Divided message system	string	NC	No divided message	
6	Parameter	Parameter				
	Function	Function	string	0	Level	
	Target	Target	string	0	Input Channel	
				1	Output Channel	
	Channel Select	Channel select	string	0 to 5	Input channel 1 to 6	If the target is 0
				10	Input ST	
				0 to 1	Output channel 1 to 2	If the target is 1
8 or 10	Output ST					
Enable	Enable/disable	string	0	Disable		
			1	Enable		
7	End Character	Message end character	binary	0x0d	CR	

##### [2] ACK/NAK

See Factory Default Setting Request [2].

#### 4.6.19 Front Panel Function Setting Acquisition Request

After receiving the Front Panel Function Setting Acquisition Request, the ATDM-0604a sends the front panel control settings to the host via Answer.

##### [1] Get Command

In case of the Front Panel Function Setting Acquisition Request from the host, refer to the command below.

g\_front\_panel\_limit\_O\_0000\_00\_NC\_1,1,8\_↵

**Table 4-129 Command Format**

No	item	Description	type	value	value description	remarks
1	Command	Command string	string	g_front_panel_limit		
2	HandShake Select	Sequence execution system	string	O		
3	Model ID	Not used	string	0000		Not used
4	Device ID	Not used	string	00		Not used
5	Continue Select	Divided message system	string	NC	No divided message	
6	Parameter	Parameter	-	-	No parameter	
				Function	Function	string
				1	Mute	
	Target	Target	string	0	Input Channel	
				1	Output Channel	
	Channel Select	Channel select	string	0 to 5	Input channel 1 to 6	If the target is 0
				10	Input ST	
0 to 1				Output channel 1 to 2	If the target is 1	
8 or 10				Output ST		
7	End Character	Message end character	binary	0x0d	CR	

[2] Answer

Refer to the table below for Answer Command format from the ATDM-0604a.

g\_front\_panel\_limit\_0000\_00\_NC\_1,1,8,1\_↓

**Table 4-130 Answer Command Format**

No	Item	Description	type	value	value description	remarks
1	Command	Command string	string	g_front_panel		
2	Model ID	Not used	string	0000		Not used
3	Device ID	Device ID	string	00 to FF	Device ID	
4	Continue Select	Divided message system	string	NC	No divided message	
5	Parameter	Parameter				
	Function	Function	string	0	Level	
				4	Mute	Not used
	Target	Target	string	0	Input Channel	
				1	Output Channel	
	Channel Select	Channel select	string	0 to 5	Input channel 1 to 6	If the target is 0
				10	Input ST	
				0 to 1	Output channel 1 to 2	If the target is 1
8 or 10	Output ST					
Enable	Enable/disable	string	0	Disable		
			1	Enable		
6	End Character	Message end character	binary	0x0d	CR	

#### 4.6.20 Log Setting Change Request

After receiving the Log Setting Change Request, the ATDM-0604a sends the processing results to the host via ACK or NAK.

##### [1] Set Command

In case of the Log Setting Change Request from the host, refer to the command format table below.

s\_log\_S\_0000\_00\_NC\_1,2\_↓

**Table 4-131 Command Format**

No	item	Description	type	value	value description	remarks
1	Command	Command string	string	s_log		
2	HandShake Select	Sequence execution system	string	S		
3	Model ID	Not used	string	0000		Not used
4	Device ID	Not used	string	00		Not used
5	Continue Select	Divided message system	string	NC	No divided message	
6	Parameter	Parameter	string	0	Disable	
				1	Enable	
	Output destination	Output destination	string	0	Internal	
				2	Syslog	
7	End Character	Message end character	binary	0x0d	CR	

##### [2] ACK/NAK

See Factory Default Setting Request [2].

#### 4.6.21 Log Setting Acquisition Request

After receiving the Log Setting Acquisition Request, the ATDM-0604a sends the log settings to the host via Answer.

[1] Get Command

In case of the Log Setting Acquisition Request from the host, refer to the command format table below.

g\_log\_O\_0000\_00\_NC↵

**Table 4-132 Command Format**

No	item	Description	type	value	value description	remarks
1	Command	Command string	string	g_log		
2	HandShake Select	Sequence execution system	string	O		
3	Model ID	Not used	string	0000		Not used
4	Device ID	Not used	string	00		Not used
5	Continue Select	Divided message system	string	NC	No divided message	
6	Parameter	Parameter	-	-	No parameter	
7	End Character	Message end character	binary	0x0d	CR	



[2] Answer

Refer to the table below for Answer Command format from the ATDM-0604a.

g\_log\_0000\_00\_NC\_1,2\_↓

**Table 4-133 Answer Command Format**

No	item	Description	type	value	value description	remarks
1	Command	Command string	string	g_log		
2	Model ID	Not used	string	0000		Not used
3	Device ID	Device ID	string	00 to FF	Device ID	
4	Continue Select	Divided message system	string	NC	No divided message	
5	Parameter	Parameter				
	Enabled	Log output	string	0	Disable	
				1	Enable	
	Output destination	Output destination	string	0	Internal	
2				Syslog		
6	End Character	Message end character	binary	0x0d	CR	

#### 4.6.22 Preset Call Request

After receiving the Preset Call Request, the ATDM-0604a sends the processing results to the host via ACK or NAK.

##### [1] Set Command

In case of the Preset Call Request from the host, refer to the command format table below.

```
call_preset_S_0000_00_NC_6_↵
```

**Table 4-134 Command Format**

No	item	Description	type	value	value description	remarks
1	Command	Command string	string	call_preset		
2	HandShake Select	Sequence execution system	string	S		
3	Model ID	Not used	string	0000		Not used
4	Device ID	Not used	string	00		Not used
5	Continue Select	Divided message system	string	NC	No divided message	
6	Parameter	Parameter				
	Bank Number	Bank number	string	1 to 6	Bank 1 to 6	
7	End Character	Message end character	binary	0x0d	CR	

##### [2] ACK/NAK

See Factory Default Setting Request [2].

### 4.6.23 Preset Save Request

After receiving the Preset Save Request, the ATDM-0604a sends the processing results to the host via ACK or NAK.

[1] Set Command

In case of the Preset Save Request from the host, refer to the command format table below.

save\_preset\_S\_0000\_00\_NC\_6\_↓

**Table 4-135 Command Format**

No	item	Description	type	value	value description	remarks
1	Command	Command string	string	save_preset		
2	HandShake Select	Sequence execution system	string	S		
3	Model ID	Not used	string	0000		Not used
4	Device ID	Not used	string	00		Not used
5	Continue Select	Divided message system	string	NC	No divided message	
6	Parameter	Parameter				
	Bank Number	Bank number	string	1 to 6	Bank 1 to 6	
7	End Character	Message end character	binary	0x0d	CR	

[2] ACK/NAK

See Factory Default Setting Request [2].

#### 4.6.24 Preset Bank Name Change Request

After receiving the Preset Bank Name Change Request, the ATDM-0604a sends the processing results to the host via ACK or NAK.

##### [1] Set Command

In case of the Preset Bank Name Change Request from the host, refer to the command format table below.

s\_name\_bank\_S\_0000\_00\_NC\_1,"preset 1"↵

**Table 4-136 Command Format**

No	item	Description	type	value	value description	remarks		
1	Command	Command string	string	s_name_bank				
2	HandShake Select	Sequence execution system	string	S				
3	Model ID	Not used	string	0000		Not used		
4	Device ID	Not used	string	00		Not used		
5	Continue Select	Divided message system	string	NC	No divided message			
6	Parameter	Parameter						
			Bank Number	Bank number	string	1 to 6	Bank 1 to 6	
			Name	Bank name	char	"	Beginning of character string	
					string	ASCII code	Bank name	To contain double quotation marks ("), specify them in succession like "".
char	"	End of character string						
7	End Character	Message end character	binary	0x0d	CR			

##### [2] ACK/NAK

See Factory Default Setting Request [2].

#### 4.6.25 Preset Bank Name Acquisition Request

After receiving the Preset Bank Name Acquisition Request, the ATDM-0604a sends the Preset Bank Name Acquisition Request to the host via Answer.

[1] Get Command

In case of the Preset Bank Name Acquisition Request from the host, refer to the command format table below.

g\_name\_bank\_O\_0000\_00\_NC\_↓

**Table 4-137 Command Format**

No	item	Description	type	Value	value description	remarks
1	Command	Command string	string	g_name_bank		
2	HandShake Select	Sequence execution system	string	O		
3	Model ID	Not used	string	0000		Not used
4	Device ID	Not used	string	00		Not used
5	Continue Select	Divided message system	string	NC	No divided message	
6	Parameter	Parameter	-	-	No parameter	
7	End Character	Message end character	binary	0x0d	CR	

[2] Answer

Refer to the table below for Answer Command format from the ATDM-0604a.

```

g_name_bank_0000_00_CS_1,"preset 1"
g_name_bank_0000_00_CM_2,"preset 2"
.
.
g_name_bank_0000_00_CM_5,"preset 5"
g_name_bank_0000_00_CE_6,"preset 6"
  
```

**Table 4-138 Command Format**

No	item	Description	type	value	value description	remarks
1	Command	Command string	string	g_name_bank		
2	Model ID	Not used	string	0000		Not used
3	Device ID	Device ID	string	00 to FF	Device ID	
4	Continue Select	Divided message system	string	CS/CM/CE	Divided message	
5	Parameter	Parameter				
	Bank Number	Bank number	string	1 to 6	Bank 1 to 6	
	Name	Bank name	char	"	Beginning of character string	
			string	ASCII code	Bank name	To contain double quotation marks ("), specify them in succession like "".
char	"	End of character string				
6	End Character	Message end character	binary	0x0d	CR	

#### 4.6.26 Boot Up Preset Setting Change Request

After receiving the Boot Up Preset Setting Change Request, the ATDM-0604a sends the processing results to the host via ACK or NAK.

[1] Set Command

In case of the Boot Up Preset Setting Change Request from the host, refer to the command format table below.

s\_bootup\_preset\_S\_0000\_00\_NC\_0\_↵

**Table 4-139 Command Format**

No	item	Description	type	value	value description	remarks	
1	Command	Command string	string	s_bootup_preset			
2	HandShake Select	Sequence execution system	string	S			
3	Model ID	Not used	string	0000		Not used	
4	Device ID	Not used	string	00		Not used	
5	Continue Select	Divided message system	string	NC	No divided message		
6	Parameter	Parameter					
		Bank Number	Bank number	String	0	Not select	
					1 to 6	Bank 1 to 6	
7	End Character	Message end character	binary	0x0d	CR		

[2] ACK/NAK

See Factory Default Setting Request [2].

#### 4.6.27 Boot Up Preset Setting Acquisition Request

After receiving the Boot Up Preset Setting Acquisition Request, the ATDM-0604a sends the log settings to the host via Answer.

[1] Get Command

In case of the Boot Up Preset Setting Acquisition Request from the host, refer to the command format table below.

g\_bootup\_preset\_O\_0000\_00\_NC\_↵

**Table 4-140 Command Format**

No	Item	Description	type	value	value description	remarks
1	Command	Command string	string	g_bootup_preset		
2	HandShake Select	Sequence execution system	string	O		
3	Model ID	Not used	string	0000		Not used
4	Device ID	Not used	string	00		Not used
5	Continue Select	Divided message system	string	NC	No divided message	
6	Parameter	Parameter	-	-	No parameter	
7	End Character	Message end character	binary	0x0d	CR	



[2] Answer

Refer to the table below for Answer Command format from the ATDM-0604a.

g\_bootup\_preset\_0000\_00\_NC\_0\_↓

**Table 4-141 Answer Command Format**

No	Item	Description	type	value	value description	remarks
1	Command	Command string	string	g_bootup_preset		
2	Model ID	Not used	string	0000		Not used
3	Device ID	Device ID	string	00 to FF	Device ID	
4	Continue Select	Divided message system	string	NC	No divided message	
5	Parameter	Parameter				
	Bank Number	Bank number	string	0 1 to 6	Not select Bank 1 to 6	
6	End Character	Message end character	binary	0x0d	CR	

#### 4.6.28 Preset Common Setting Change Request

After receiving the Preset Common Setting Change Request, the ATDM-0604a sends the processing results to the host via ACK or NAK.

##### [1] Set Command

In case of the Preset Common Setting Change Request from the host, refer to the command format table below.

s\_preset\_general\_S\_0000\_00\_NC\_1\_↓

**Table 4-142 Command Format**

No	item	Description	type	value	value description	remarks
1	Command	Command string	string	s_preset_general		
2	HandShake Select	Sequence execution system	string	S		
3	Model ID	Not used	string	0000		Not used
4	Device ID	Not used	string	00		Not used
5	Continue Select	Divided message system	string	NC	No divided message	
6	Parameter	Parameter				
			Preset Recall Link	Preset Recall Link Status	string	0
				1	On	
7	End Character	Message end character	binary	0x0d	CR	

##### [2] ACK/NAK

See Factory Default Setting Request [2].

#### 4.6.29 Preset Common Setting Acquisition Request

After receiving the Preset Common Setting Acquisition Request, the ATDM-0604a sends the log settings to the host via Answer.

[1] Get Command

In case of the Preset Common Setting Acquisition Request from the host, refer to the command format table below.

g\_preset\_general\_O\_0000\_00\_NC\_↵

**Table 4-143 Command Format**

No	Item	Description	type	value	value description	remarks
1	Command	Command string	string	g_preset_general		
2	HandShake Select	Sequence execution system	string	O		
3	Model ID	Not used	string	0000		Not used
4	Device ID	Not used	string	00		Not used
5	Continue Select	Divided message system	string	NC	No divided message	
6	Parameter	Parameter	-	-	No parameter	
7	End Character	Message end character	binary	0x0d	CR	

[2] Answer

Refer to the table below for Answer Command format from the ATDM-0604a.

g\_preset\_general\_0000\_00\_NC\_1\_↓

**Table 4-144 Answer Command Format**

No	item	Description	type	value	value description	remarks
1	Command	Command string	string	g_bootup_preset		
2	Model ID	Not used	string	0000		Not used
3	Device ID	Device ID	string	00 to FF	Device ID	
4	Continue Select	Divided message system	string	NC	No divided message	
5	Parameter	Parameter				
				Preset Recall Link	Preset Recall Link Status	string
				1	On	
6	End Character	Message end character	binary	0x0d	CR	

#### 4.6.30 File Transfer Request

After receiving the File Transfer Request, the ATDM-0604a sends the processing results to the host via ACK or NAK.

##### [1] Set Command

In case of the File Transfer Request from the host, refer to the command format table below.

file\_transfer\_S\_0000\_00\_CS\_p1,00000400,1024,[binary data]↵

file\_transfer\_S\_0000\_00\_CM\_p1,00000800,1024,[binary data]↵

⋮

file\_transfer\_S\_0000\_00\_CM\_p1,00001000,1024,[binary data]↵

file\_transfer\_S\_0000\_00\_CE\_p1,00001400,256,[binary data]↵

**Table 4-145 Command Format**

No	item	Description	type	value	value description	remarks
1	Command	Command string	string	file_transfer		
2	HandShake Select	Sequence execution system	string	S		
3	Model ID	Not used	string	0000		Not used
4	Device ID	Not used	string	00		Not used
5	Continue Select	Divided message system	string	NC/CS/CM/CE	Divided message	
6	Parameter	Parameter				
	Kind	Transfer data type	string	See 6.6 Transfer data type.		
	File Offset	Offset	string	00000000 to FFFFFFFF	Specify the offset in the transfer file with HEX. Do not add "0x." A value obtained with ftell(FILE*)	
	Size	Size	string	0001 to 1024	Specify the number of bytes of transfer data with DEC.	
	Data	Transfer data	binary	-	Specify the transfer data with a binary number.	
7	End Character	Message end character	binary	0x0d	CR	

[2] ACK/NAK

See Factory Default Setting Request [2].

### 4.6.31 File Transfer Cancel Request

After receiving the File Transfer Cancel Request, the ATDM-0604a sends the processing results to the host via ACK or NAK.

[1] Set Command

In case of the File Transfer Cancel Request from the host, refer to the command format table below.

file\_transfer\_cancel\_S\_0000\_00\_NC\_p1↵

**Table 4-146 Command Format**

No	item	Description	type	value	value description	remarks
1	Command	Command string	string	file_transfer_cancel		
2	HandShake Select	Sequence execution system	string	S		
3	Model ID	Not used	string	0000		Not used
4	Device ID	Not used	string	00		Not used
5	Continue Select	Divided message system	string	NC/CS/CM/CE	Divided message	
6	Parameter	Parameter				
	Kind	Transfer data type	string	See 6.6 Transfer data type.		
7	End Character	Message end character	binary	0x0d	CR	

[2] ACK/NAK

See Factory Default Setting Request [2].

### 4.6.32 Export Request

After receiving the Export Request, the ATDM-0604a sends the specified data to the host via ACK or NAK.

[1] Get Command

In case of the Export Request from the host, refer to the command format table below.

export\_O\_0000\_00\_NC\_p1\_↵

**Table 4-147 Command Format**

No	item	Description	type	value	value description	remarks
1	Command	Command string	string	export		
2	HandShake Select	Sequence execution system	string	O		
3	Model ID	Not used	string	0000		Not used
4	Device ID	Not used	string	00		Not used
5	Continue Select	Divided message system	string	NC	No divided message	
6	Parameter	Parameter				
	Kind	Transfer data type	string	See 6.6 Transfer data type.		
7	End Character	Message end character	binary	0x0d	CR	



[2] Answer

Refer to the table below for Answer Command format from the ATDM-0604a.

```
export_0000_00_CS_p1,00000400,1024,[binary data]_↓
export_0000_00_CM_p1,00000800,1024,[binary data]_↓
.
.
export_0000_00_CM_p1,00001000,1024,[binary data]_↓
export_0000_00_CE_p1,00001400,256,[binary data]_↓
```

**Table 4-148 Answer Command Format**

No	Item	Description	type	value	value description	remarks
1	Command	Command string	string	export		
2	Model ID	Not used	string	0000		Not used
3	Device ID	Device ID	string	00 to FF	Device ID	
4	Continue Select	Divided message system	string	NC/CS/CM/CE	Divided message	
5	Parameter	Parameter				
	Kind	Transfer data type	string	See 6.6 Transfer data type.		
	File Offset	Offset	string	00000000 to FFFFFFFF	Specify the offset in the transfer file with HEX. Do not add "0x." A value obtained with ftell(FILE*)	
	Size	Size	string	0001 to 1024	Specify the number of bytes of transfer data with DEC.	
	Data	Transfer data	binary	-	Specify the transfer data with a binary number.	
6	End Character	Message end character	binary	0x0d	CR	

### 4.6.33 Import Request

After receiving the Import Request, the ATDM-0604a sends the processing results to the host via ACK or NAK.

After the Import Request, the transfer data use the File Transfer Request command.

[1] Set Command

In case of the Import Request from the host, refer to the command format table below.

```
import_S_0000_00_NC_p1_↵
```

**Table 4-149 Command Format**

No	item	Description	type	value	value description	remarks
1	Command	Command string	string	import		
2	HandShake Select	Sequence execution system	string	S		
3	Model ID	Not used	string	0000		Not used
4	Device ID	Not used	string	00		Not used
5	Continue Select	Divided message system	string	NC	No divided message	
6	Parameter	Parameter				
	Kind	Transfer data type	string	See 6.6 Transfer data type.		
7	End Character	Message end character	binary	0x0d	CR	

[2] ACK/NAK

See Factory Default Setting Request [2].

#### 4.6.34 Level Meter Notification Interval Setting Change Request

After receiving the Level Meter Notification Interval Setting Change Request, the ATDM-0604a sends the processing results to the host via ACK or NAK.

[1] Get Command

In case of the Level Meter Notification Interval Setting Change Request from the host, refer to the command format table below.

s\_level\_meter\_interval\_S\_0000\_00\_NC\_1000\_↵

**Table 4-150 Command Format**

No	item	Description	type	value	value description	remarks
1	Command	Command string	string	s_level_meter_interval		
2	HandShake Select	Sequence execution system	string	S		
3	Model ID	Not used	string	0000		Not used
4	Device ID	Not used	string	00		Not used
5	Continue Select	Divided message system	string	NC	No divided message	
6	Parameter	Parameter				
	Interval	Notification interval	string	100~	msec	
7	End Character	Message end character	binary	0x0d	CR	

[2] ACK/NAK

See Factory Default Setting Request [2].

#### 4.6.35 Level Meter Notification Interval Setting Acquisition Request

After receiving the Level Meter Notification Interval Setting Acquisition Request, the ATDM-0604a sends the level meter settings to the host via Answer.

[1] Get Command

In case of the Level Meter Notification Interval Setting Acquisition Request from the host, refer to the command format table below.

g\_level\_meter\_interval\_O\_0000\_00\_NC\_↵

**Table 4-151 Command Format**

No	item	Description	type	value	value description	remarks
1	Command	Command string	string	g_level_meter_interval		
2	HandShake Select	Sequence execution system	string	O		
3	Model ID	Not used	string	0000		Not used
4	Device ID	Not used	string	00		Not used
5	Continue Select	Divided message system	string	NC	No divided message	
6	Parameter	Parameter		-	-	None
7	End Character	Message end character	binary	0x0d	CR	

[2] Answer

Refer to the table below for Answer Command format from the ATDM-0604a.

g\_level\_meter\_interval\_0000\_00\_NC\_1000\_↵

**Table 4-152 Answer Command Format**

No	item	Description	type	value	value description	remarks
1	Command	Command string	string	g_level_meter_interval		
2	Model ID	Not used	string	0000		Not used
3	Device ID	Device ID	string	00 to FF	Device ID	
4	Continue Select	Divided message system	string	NC	No divided message	
5	Parameter	Parameter				
	Interval	Notification interval	string	100~	msec	
6	End Character	Message end character	binary	0x0d	CR	

#### 4.6.36 Level Meter Acquisition Request

After receiving the Level Meter Acquisition Request, the ATDM-0604a sends the level meter settings to the host via Answer.

[1] Get Command

In case of the Level Meter Acquisition Request from the host, refer to the command format table below.

g\_level\_meter\_O\_0000\_00\_NC\_23\_↓

**Table 4-153 Command Format**

No	item	Description	type	value	value description	remarks
1	Command	Command string	string	g_level_meter		
2	HandShake Select	Sequence execution system	string	O		
3	Model ID	Not used	string	0000		Not used
4	Device ID	Not used	string	00		Not used
5	Continue Select	Divided message system	string	NC	No divided message	
6	Parameter	Parameter				
	Monitor Point	Monitor point	string	0 to 23	Level 0 to Level 23	See 5.2.1.
7	End Character	Message end character	binary	0x0d	CR	

[2] Answer

Refer to the table below for Answer Command format from the ATDM-0604a.

g\_level\_meter\_0000\_00\_NC\_23,10\_↵

**Table 4-154 Answer Command Format**

No	Item	Description	type	value	value description	remarks
1	Command	Command string	string	g_level_meter		
2	Model ID	Not used	string	0000		Not used
3	Device ID	Device ID	string	00 to FF	Device ID	
4	Continue Select	Divided message system	string	NC	No divided message	
5	Parameter	Parameter				
	Monitor Point	Monitor point	string	0 to 23	Level 0 to Level 23	See 5.2.1.
	Level	Level	string	0 to 61	Level	The range depends on monitor point.
6	End Character	Message end character	binary	0x0d	CR	

#### 4.6.37 Identify Request

After receiving the Identify Request, the ATDM-0604a sends the processing results to the host via ACK or NAK.

[1] Set Command

In case of the Identify Request from the host, refer to the command format table below.

identify\_ S\_0000\_00\_NC\_↵

**Table 4-155 Command Format**

No	item	Description	type	value	value description	remarks
1	Command	Command string	string	identify		
2	HandShake Select	Sequence execution system	string	S		
3	Model ID	Not used	string	0000		Not used
4	Device ID	Not used	string	00		Not used
5	Continue Select	Divided message system	string	NC	No divided message	
6	Parameter	Parameter	-	-	No parameter	
7	End Character	Message end character	binary	0x0d	CR	

[2] ACK/NAK

See Factory Default Setting Request [2].



#### 4.6.38 Date Setting Request

After receiving the Date Setting Request, the ATDM-0604a sends the processing results to the host via ACK or NAK.

[1] Set Command

In case of the Date Setting Request from the host, refer to the command format table below.

s\_date\_S\_0000\_00\_NC\_20211214145000\_↵

**Table 4-156 Command Format**

No	item	Description	type	value	value description	remarks
1	Command	Command string	string	s_date		
2	HandShake Select	Sequence execution system	string	S		
3	Model ID	Not used	string	0000		Not used
4	Device ID	Not used	string	00		Not used
5	Continue Select	Divided message system	string	NC	No divided message	
6	Parameter	Parameter				
	Timestamp	Timestamp	string	YYYYMMDDHHMMSS	Date (four-digit year)	
7	End Character	Message end character	binary	0x0d	CR	

[2] ACK/NAK

See Factory Default Setting Request [2].

### 4.6.39 Reboot Request

After receiving Reboot Request, the ATDM-0604a performs a self-rebooting.

[1] Set Command

In case of the Reboot Request from the host, refer to the command format table below.

reboot\_S\_0000\_00\_NC\_↵

**Table 4-157 Command Format**

No	item	Description	type	value	value description	remarks
1	Command	Command string	string	reboot		
2	HandShake Select	Sequence execution system	string	S		
3	Model ID	Not used	string	0000		Not used
4	Device ID	Not used	string	00		Not used
5	Continue Select	Divided message system	string	NC	No divided message	
6	Parameter	Parameter	-	-	No parameter	
7	End Character	Message end character	binary	0x0d	CR	

[2] ACK/NAK

See Factory Default Setting Request [2].

#### 4.6.40 Device ID Acquisition Request

After receiving the Device ID Acquisition Request, the ATDM-0604a sends the header color settings to the host via Answer.

##### [1] Get Command

In case of the Device ID Acquisition Request from the host, refer to the command below.

g\_deviceid\_O\_0000\_00\_NC\_↵

**Table 4-158 Command Format**

No	item	Description	type	value	value description	remarks
1	Command	Command string	string	g_deviceid		
2	HandShake Select	Sequence execution system	string	O		
3	Model ID	Not used	string	0000		Not used
4	Device ID	Not used	string	00		Not used
5	Continue Select	Divided message system	string	NC	No divided message	
6	Parameter	Parameter	-	-	No parameter	
7	End Character	Message end character	binary	0x0d	CR	

##### [2] Answer

Refer to the table below for Answer Command format from the ATDM-0604a.

g\_deviceid\_0000\_00\_NC\_08\_↵

**Table 4-159 Answer Command Format**

No	item	Description	type	value	value description	remarks
1	Command	Command string	string	g_deviceid		
2	Model ID	Not used	string	0000		Not used
3	Device ID	Device ID	string	00 to FF	Device ID	
4	Continue Select	Divided message system	string	NC	No divided message	
5	Parameter	Parameter				
	Device ID	Device ID	string	00 to FF	Device ID	
6	End Character	Message end character	binary	0x0d	CR	

#### 4.6.41 Preset Number Acquisition Request

After receiving the Preset Number Acquisition Request, the ATDM-0604a sends the preset bank number to the host via Answer.

[1] Get Command

In case of the Preset Number Acquisition Request from the host, refer to the command below.

g\_preset\_number \_O\_0000\_00\_NC\_↓

**Table 4-160 Command Format**

No	item	Description	type	value	value description	remarks
1	Command	Command string	string	g_preset_number		
2	HandShake Select	Sequence execution system	string	O		
3	Model ID	Not used	string	0000		Not used
4	Device ID	Not used	string	00		Not used
5	Continue Select	Divided message system	string	NC	No divided message	
6	Parameter	Parameter	-	-	No parameter	
7	End Character	Message end character	binary	0x0d	CR	

[2] Answer

Refer to the table below for Answer Command format from the ATDM-0604a.

g\_preset\_number \_0000\_00\_NC\_6\_↓

**Table 4-161 Answer Command Format**

No	Item	Description	type	value	value description	remarks
1	Command	Command string	string	g_preset_number		
2	Model ID	Not used	string	0000		Not used
3	Device ID	Device ID	string	00 to FF	Device ID	
4	Continue Select	Divided message system	string	NC	No divided message	
5	Parameter	Parameter				
	Bank Number	Bank number	string	1 to 6	Bank 1 to 6	
6	End Character	Message end character	binary	0x0d	CR	

**4.6.42 Partial Preset Call Request**

After receiving the Partial Preset Call Request, the ATDM-0604a sends the processing results to the host via ACK or NAK.

[1] Set Command

In case of the Partial Preset Call Request from the host, refer to the command format table below.

call\_partial\_preset\_S\_0000\_00\_NC\_40

**Table 4-162 Command Format**

No	item	Description	type	value	value description	remarks
1	Command	Command string	string	call_partial_preset		
2	HandShake Select	Sequence execution system	string	S		
3	Model ID	Not used	string	0000		Not used
4	Device ID	Not used	string	00		Not used
5	Continue Select	Divided message system	string	NC	No divided message	
6	Parameter	Parameter				
	Partial Preset Number	Partial preset number	string	1 to 40	Partial preset number	
7	End Character	Message end character	binary	0x0d	CR	

[2] ACK/NAK

See Factory Default Setting Request [2].

#### 4.6.43 Partial Preset Number Acquisition Request

After receiving the Partial Preset Number Acquisition Request, the ATDM-0604a sends the partial preset number to the host via Answer.

##### [1] Get Command

In case of the Partial Preset Number Acquisition Request from the host, refer to the command below.

g\_partial\_preset\_number \_O\_0000\_00\_NC\_↓

**Table 4-163 Command Format**

No	item	Description	type	value	value description	remarks
1	Command	Command string	string	g_partial_preset_number		
2	HandShake Select	Sequence execution system	string	O		
3	Model ID	Not used	string	0000		Not used
4	Device ID	Not used	string	00		Not used
5	Continue Select	Divided message system	string	NC	No divided message	
6	Parameter	Parameter	-	-	No parameter	
7	End Character	Message end character	binary	0x0d	CR	

##### [2] Answer

Refer to the table below for Answer Command format from the ATDM-0604a.

g\_preset\_number \_0000\_00\_NC\_40\_↓

**Table 4-164 Answer Command Format**

No	Item	Description	type	value	value description	remarks
1	Command	Command string	string	g_partial_preset_number		
2	Model ID	Not used	string	0000		Not used
3	Device ID	Device ID	string	00 to FF	Device ID	
4	Continue Select	Divided message system	string	NC	No divided message	
5	Parameter	Parameter				
	Partial Preset Number	Partial preset number	string	1 to 40	Partial preset number	
6	End Character	Message end character	binary	0x0d	CR	

## 5 UDP Communications

The information (status change notification) from the ATDM-0604a is sent via UDP protocol.

### 5.1 Communication Control

For details on the communication control flow, see Chapter 4.1.

#### 5.1.1 Communication Start

The host registers groups to the multicast address.

**Table 5-1 Communication Control Parameters**

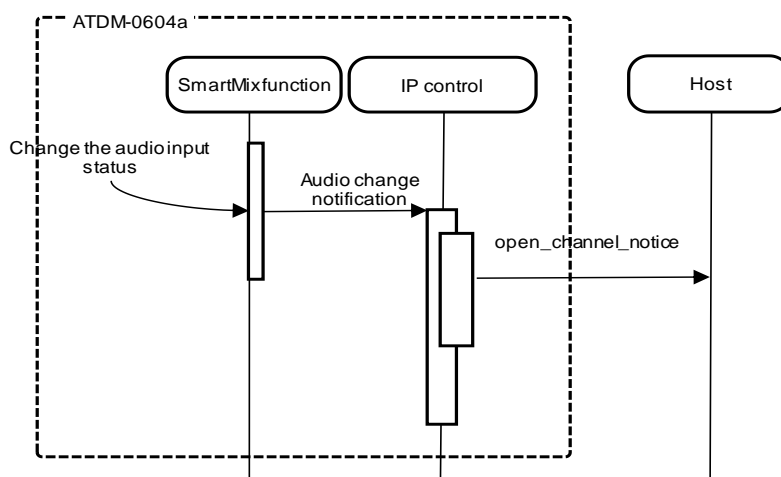
No	Name	Default Setting	Remarks
1.	IPAddress	239.000.000.100	Multicast address
2.	Port No	17000	

#### 5.1.2 Control Sequence

##### 5.1.2.1 Information

If the ATDM-0604a status changes, a status change notification is sent.

<Example> The sequence of Open Channel Status Notification is shown below.



**Figure 5-1 Information Command Processing Sequence**

#### 5.1.3 Communication Errors

For details on the sequence for transmission errors, see 4.1.3.1.

#### 5.1.4 Communication End

The host can unregister groups at any timing.

## 5.2 Command Details

### 5.2.1 Level Meter Notification

The Level Meter Notification is sent periodically from the ATDM-0604a.

It is reported at the interval set in the Level Meter Notification Interval Setting Change Request. (The default is 100 msec.)

When IP Control Setting - Audio Level Notification is set to 0 (Not use) in the network settings, this is not sent.

MD\_level\_meter

\_notice\_0000\_00\_NC\_61,61,61,61,61,61,61,61,61,61,61,61,61,60,60,60,60,60,60,15,  
15,15,15,15,15\_↓

**Table 5-2 Command Format**

No	item	Description	Type	value	value description	remarks	
1	Modify	MD	string	MD			
2	Command	Command string	string	level_meter_notice			
3	Model ID	Not used	string	0000		Not used	
4	Device ID	Device ID	string	00 to FF	Device ID		
5	Continue Select	Divided message system	string	NC	No divided message		
6	Parameter	Parameter					
		Post Fader Meter					
		Level 0	Input 1	string	0 to 61	Input 1 level meter	
		Level 1	Input 2	string	0 to 61	Input 2 level meter	
		Level 2	Input 3	string	0 to 61	Input 3 level meter	
		Level 3	Input 4	string	0 to 61	Input 4 level meter	
		Level 4	Input 5	string	0 to 61	Input 5 level meter	
		Level 5	Input 6	string	0 to 61	Input 6 level meter	
		Level 6	Input ST L	string	0 to 61	Input ST L level meter	
		Level 7	Input ST R	string	0 to 61	Input ST R level meter	
		Level 8	Output 1	string	0 to 61	Output 1 level meter	
		Level 9	Output 2	string	0 to 61	Output 2 level meter	



No	item	Description	Type	value	value description	remarks	
		Level 10	Output ST L	string	0 to 61	Output ST L level meter	
		Level 11	Output ST R	string	0 to 61	Output ST R level meter	
	AEC(ERL) Meter						
		Level 12	Input 1	string	0 to 60	Input 1 level meter	
		Level 13	Input 2	string	0 to 60	Input 2 level meter	
		Level 14	Input 3	string	0 to 60	Input 3 level meter	
		Level 15	Input 4	string	0 to 60	Input 4 level meter	
		Level 16	Input 5	string	0 to 60	Input 5 level meter	
		Level 17	Input 6	string	0 to 60	Input 6 level meter	
	Gainshare Meter						
		Level 18	Input 1	string	0 to 15	Input 1 level meter	
		Level 19	Input 2	string	0 to 15	Input 2 level meter	
		Level 20	Input 3	string	0 to 15	Input 3 level meter	
		Level 21	Input 4	string	0 to 15	Input 4 level meter	
		Level 22	Input 5	string	0 to 15	Input 5 level meter	
		Level 23	Input 6	string	0 to 15	Input 6 level meter	
7	End Character	Message end character	binary	0x0d	CR		

### 5.2.2 Open Channel Status Notification

An open channel notification is sent from the ATDM-0604a when Smart Mix is enabled and active information is changed. When IP Control Setting Notification is set to 0 (Not use) in the network settings, this is not sent.

MD\_open\_channel\_notice\_0000\_00\_NC\_5,1

**Table 5-3 Command Format**

No	item	Description	Type	Value	value description	remarks
1	Modify	MD	string	MD		
2	Command	Command string	string	open_channel_notice		
3	Model ID	Not used	string	0000		Not used
4	Device ID	Device ID	string	00 to FF	Device ID	
5	Continue Select	Divided message system	string	NC	No divided message	
6	Parameter	Parameter				
	Input Channel Select	Input channel select	string	0 to 5	Input channel 1 to 6	
	Status	Open status	string	0 1	Close Open	
7	End Character	Message end character	binary	0x0d	CR	

### 5.2.3 Can Cut Setting Notification

When Smart Mix is set to Gate, a Can Cut status notification is sent from the ATDM-0604a if the Priority and Can Cut information is changed.  
 When IP Control Setting Notification is set to 0 (Not use) in the network settings, this is not sent.

MD \_ cancut\_notice \_ 0000 \_ 00 \_ NC \_ 0,0,0,0,0,0,0,0,0,0,0 \_ ↵

**Table 5-4 Command Format**

No	item	Description	Type	Value	value description	remarks
1	Modify	MD	string	MD		
2	Command	Command string	string	cancut_notice		
3	Model ID	Not used	string	0000		Not used
4	Device ID	Device ID	string	00 to FF	Device ID	
5	Continue Select	Divided message system	string	NC	No divided message	
6	Parameter	Parameter				
	Input Channel 1	Input 1	string	0	Off	Either Priority or Cancut is OFF.
				1	On	Both Priority and Cancut are ON.
	Input Channel 2	Input 2	string	0	Off	Either Priority or Cancut is OFF.
				1	On	Both Priority and Cancut are ON.
	Input Channel 3	Input 3	string	0	Off	Either Priority or Cancut is OFF.
				1	On	Both Priority and Cancut are ON.
	Input Channel 4	Input 4	string	0	Off	Either Priority or Cancut is OFF.
				1	On	Both Priority and Cancut are ON.
	Input Channel 5	Input 5	string	0	Off	Either Priority or Cancut is OFF.
				1	On	Both Priority and Cancut are ON.
	Input Channel 6	Input 6	string	0	Off	Either Priority or Cancut is OFF.

No	item	Description	Type	Value	value description	remarks
				1	On	Both Priority and Cancut are ON.
7	End Character	Message end character	binary	0x0d	CR	

### 5.2.4 Input Gain/Level Setting Notification

An Input Gain/Level Setting Notification is sent from the ATDM-0604a if the gain/level setting of the input channel is changed.  
 When IP Control Setting Notification is set to 0 (Not use) in the network settings, this is not sent.

MD\_input\_gain\_level\_notice\_0000\_00\_NC\_10,40,40,511,1↵

**Table 5-5 Command Format**

No	item	Description	type	value	value description	remarks	
1	Modify	MD	string	MD			
2	Command	Command string	string	input_gain_level_notice			
3	Model ID	Not used	string	0000		Not used	
4	Device ID	Device ID	string	00 to FF	Device ID		
5	Continue Select	Divided message system	string	NC	No divided message		
6	Parameter	Parameter					
	Input Channel Select	Input channel select	string	0 to 5	Input channel 1 to 6		
				10	Input ST		
	gain						
	Mic	Microphone gain	string	0 to 40	+20db to +60db	See 6.5 Input Gain Table.	
	Level	Level	string	0 to 511	-120 to +10db	See 6.1 Fader Table.	
	Mute	Mute status	string	0	Not muted		
1				Muted			
7	End Character	Message end character	binary	0x0d	CR		

### 5.2.5 Output Level Setting Notification

An Output Level Setting Notification is sent from the ATDM-0604a if the level setting of the output channel is changed.

When IP Control Setting Notification is set to 0 (Not use) in the network settings, this is not sent.

MD\_output\_level\_notice\_0000\_00\_NC\_10,511\_↓

**Table 5-6 Command Format**

No	item	Description	type	value	value description	remarks
1	Modify	MD	string	MD		
2	Command	Command string	string	output_level_notice		
3	Model ID	Not used	string	0000		Not used
4	Device ID	Device ID	string	00 to FF	Device ID	
5	Continue Select	Divided message system	string	NC	No divided message	
6	Parameter	Parameter				
	Output Channel Select	Output channel select	string	0 to 1 10	Output channel 1 to 2 Output ST	
	Level	Level	string	0 to 511	-120 to +10db	See 6.1 Fader Table.
7	End Character	Message end character	binary	0x0d	CR	

### 5.2.6 Output Channel Mute Notification

An Output Channel Mute Notification is notified by the ATDM-0604a if the mute setting of the output channel is changed. When IP Control Setting Notification is set to 0 (Not use) in the network settings, this is not sent.

MD\_output\_mute\_notice\_0000\_00\_NC\_10,1↵

**Table 5-7 Command Format**

No	item	Description	type	Value	value description	remarks
1	Modify	MD	string	MD		
2	Command	Command string	string	output_mute_notice		
3	Model ID	Not used	string	0000		Not used
4	Device ID	Device ID	string	00 to FF	Device ID	
5	Continue Select	Divided message system	string	NC	No divided message	
6	Parameter	Parameter				
	Output Channel Select	Output channel select	string	0 to 1	Output channel 1 to 2	
				10	Output ST	
	Mute	Mute status	string	0	Not muted	
1				Muted		
7	End Character	Message end character	binary	0x0d	CR	





No	item	Description	type	Value	value description	remarks
	Gain	Gain	string	0 to 72	-18dB to +18dB	See 6.4 EQ Gain Table.
	Q Value	Q value	string	0 to 31	0.3 to 60	See 6.3 Q Value Table.
Band2						
	Static	Static selection	string	0	Off	
				1	On(static)	
	Frequency	Frequency	string	0 to 480	20Hz to 20kHz	See 6.2 Frequency Table.
	Gain	Gain	string	0 to 72	-18dB to +18dB	See 6.4 EQ Gain Table.
	Q Value	Q value	string	0 to 31	0.3 to 60	See 6.3 Q Value Table.
Band3						
	Static	Static selection	string	0	Off	
				1	On(static)	
	Frequency	Frequency	string	0 to 480	20Hz to 20kHz	See 6.2 Frequency Table.
	Gain	Gain	string	0 to 72	-18dB to +18dB	See 6.4 EQ Gain Table.
	Q Value	Q value	string	0 to 31	0.3 to 60	See 6.3 Q Value Table.
Band4						
	Static	Static selection	string	0	Off	
				1	On(static)	
	Frequency	Frequency	string	0 to 480	20Hz to 20kHz	See 6.2 Frequency Table.
	Gain	Gain	string	0 to 72	-18dB to +18dB	See 6.4 EQ Gain Table.
	Q Value	Q value	string	0 to 31	0.3 to 60	See 6.3 Q Value Table.
Band5						
	Static	Static selection	string	0	Off	
				1	On(static)	
	Frequency	Frequency	string	0 to 480	20Hz to 20kHz	See 6.2 Frequency Table.
	Gain	Gain	string	0 to 72	-18dB to +18dB	See 6.4 EQ Gain Table.
	Q Value	Q value	string	0 to 31	0.3 to 60	See 6.3 Q Value Table.
Band6						
	Static	Static selection	string	0	Off	
				1	On(static)	

No	item	Description	type	Value	value description	remarks		
		Frequency	Frequency	string	0 to 480	20Hz to 20kHz	See 6.2 Frequency Table.	
		Gain	Gain	string	0 to 72	-18dB to +18dB	See 6.4 EQ Gain Table.	
		Q Value	Q value	string	0 to 31	0.3 to 60	See 6.3 Q Value Table.	
	Band7							
		Static	Static selection	string	0	Off		
					1	On(static)		
			Frequency	Frequency	string	0 to 480	20Hz to 20kHz	See 6.2 Frequency Table.
			Gain	Gain	string	0 to 72	-18dB to +18dB	See 6.4 EQ Gain Table.
			Q Value	Q value	string	0 to 31	0.3 to 60	See 6.3 Q Value Table.
	Band8							
		Static	Static selection	string	0	Off		
					1	On(static)		
			Frequency	Frequency	string	0 to 480	20Hz to 20kHz	See 6.2 Frequency Table.
			Gain	Gain	string	0 to 72	-18dB to +18dB	See 6.4 EQ Gain Table.
			Q Value	Q value	string	0 to 31	0.3 to 60	See 6.3 Q Value Table.
7	End Character	Message end character	binary	0x0d	CR			

### 5.2.8 Operator Page Channel Setting Notification

An Operator Page Channel Setting Notification is sent from the ATDM-0604a if the level of operator page is changed.

When IP Control Setting Notification is set to 0 (Not use) in the network settings, this is not sent.

MD\_operator\_channel\_notice\_0000\_00\_NC\_8,100,1,1

**Table 5-9 Command Format**

No	item	Description	type	value	value description	remarks
1	Modify	MD	string	MD		
2	Command	Command string	string	operator_channel_notice		
3	Model ID	Not used	string	0000		Not used
4	Device ID	Device ID	string	00 to FF	Device ID	
5	Continue Select	Divided message system	string	NC	No divided message	
6	Parameter	Parameter				
	Fader Channel	Fader channel number	string	1 to 8	Fader 1 to 8	
	Level	Level	string	0 to 100	0 to 100	1.0step
	Mute	Mute status	string	0 1	Mute disabled Mute enabled	
	Page1	Page	string	1	Page1	
7	End Character	Message end character	binary	0x0d	CR	

### 5.2.9 Array Mic Mute Status Notification

An Array Mic Mute Status Notification is sent from the ATDM-0604a if the Array Mic Mute Status is changed.  
 When IP Control Setting Notification is set to 0 (Not use) in the network settings, this is not sent.

MD\_arraymic\_mute\_notice\_0000\_00\_NC\_1,1\_↓

**Table 5-10 Command Format**

No	item	Description	type	value	value description	remarks
1	Modify	MD	string	MD		
2	Command	Command string	string	arraymic_mute_notice		
3	Model ID	Not used	string	0000		Not used
4	Device ID	Device ID	string	00 to FF	Device ID	
5	Continue Select	Divided message system	string	NC	No divided message	
6	Parameter	Parameter				
	Mute	Mute status	string	0	Not muted	
				1	Muted	
	Virtual Mic	Virtual Mic	string	0	Virtual Mic	
7	End Character	Message end character	binary	0x0d	CR	

### 5.2.10 Recording Status Notification

A Recording Status Notification is sent from the ATDM-0604a if the recording status is changed. When IP Control Setting Notification is set to 0 (Not use) in the network settings, this is not sent.

MD\_rec\_status\_notice\_0000\_00\_NC\_1\_↓

**Table 5-11 Command Format**

No	item	Description	type	value	value description	remarks
1	Modify	MD	string	MD		
2	Command	Command string	string	rec_status_notice		
3	Model ID	Not used	string	0000		Not used
4	Device ID	Device ID	string	00 to FF	Device ID	
5	Continue Select	Divided message system	string	NC	No divided message	
6	Parameter Recorder Status	Parameter Recorder status	string	0	Stop	
				1	Recording	
				2	Recording paused	
				3	Playing	
				4	Playback paused	
7	End Character	Message end character	binary	0x0d	CR	

### 5.2.11 Preset Call Notification

A Preset Call Notification is sent from the ATDM-0604a if a preset is called.

When IP Control Setting Notification is set to 0 (Not use) in the network settings, this is not sent.

MD recall\_preset\_notice\_0000\_00\_NC\_6↵

**Table 5-12 Command Format**

No	item	Description	type	value	value description	remarks
1	Modify	MD	string	MD		
2	Command	Command string	string	recall_preset_notice		
3	Model ID	Not used	string	0000		Not used
4	Device ID	Device ID	string	00 to FF	Device ID	
5	Continue Select	Divided message system	string	NC	No divided message	
6	Parameter	Parameter				
	Bank Number	Bank number	string	1 to 6	Bank 1 to 6	
7	End Character	Message end character	binary	0x0d	CR	

### 5.2.12 Partial Preset Call Notification

A Partial Preset Call Notification is sent from the ATDM-0604a if a partial preset is called.

When IP Control Setting Notification is set to 0 (Not use) in the network settings, this is not sent.

MD\_recall\_partial\_preset\_notice\_0000\_00\_NC\_40↵

**Table 5-13 Command Format**

No	item	Description	type	Value	value description	remarks
1	Modify	MD	string	MD		
2	Command	Command string	string	recall_partial_preset_notice		
3	Model ID	Not used	string	0000		Not used
4	Device ID	Device ID	string	00 to FF	Device ID	
5	Continue Select	Divided message system	string	NC	No divided message	
6	Parameter	Parameter				
	Partial Preset Number	Partial preset number	string	1 to 40	Partial preset number	
7	End Character	Message end character	binary	0x0d	CR	

### 5.2.13 IP Control Start Notification

An IP Control Start Notification is sent if the IP Control is enabled after the power is turned on.

MD\_ip\_control\_start\_notice\_0000\_00\_NC\_1↵

**Table 5-11 Command Format**

No	Item	Description	type	Value	value description	remarks
	Modify	MD	string	MD		
	Command	Command string	string	ip_control_start_notice		
	Model ID	Not used	string	0000		Not used
	Device ID	Device ID	string	00 to FF	Device ID	
	Continue Select	Divided message system	string	NC	No divided message	
	Parameter	Parameter				
	Partial Preset Number	Start flag	string	1	Start flag	
	End Character	Message end character	binary	0x0d	CR	



## 6 Appendix

### 6.1 Fader Table

Value	Data[dB]	Value	Data[dB]	Value	Data[dB]	Value	Data[dB]	Value	Data[dB]	Value	Data[dB]	Value	Data[dB]	Value	Data[dB]
0	-Infinity	64	-63.5	128	-36.6	192	-23.8	256	-15.5	320	-9.1	384	-2.7	448	3.7
1	-120.0	65	-63.0	129	-36.4	193	-23.6	257	-15.4	321	-9.0	385	-2.6	449	3.8
2	-118.0	66	-62.5	130	-36.2	194	-23.4	258	-15.3	322	-8.9	386	-2.5	450	3.9
3	-116.0	67	-62.0	131	-36.0	195	-23.2	259	-15.2	323	-8.8	387	-2.4	451	4.0
4	-114.0	68	-61.5	132	-35.8	196	-23.0	260	-15.1	324	-8.7	388	-2.3	452	4.1
5	-112.0	69	-61.0	133	-35.6	197	-22.8	261	-15.0	325	-8.6	389	-2.2	453	4.2
6	-110.0	70	-60.5	134	-35.4	198	-22.6	262	-14.9	326	-8.5	390	-2.1	454	4.3
7	-108.0	71	-60.0	135	-35.2	199	-22.4	263	-14.8	327	-8.4	391	-2.0	455	4.4
8	-106.0	72	-59.5	136	-35.0	200	-22.2	264	-14.7	328	-8.3	392	-1.9	456	4.5
9	-104.0	73	-59.0	137	-34.8	201	-22.0	265	-14.6	329	-8.2	393	-1.8	457	4.6
10	-102.0	74	-58.5	138	-34.6	202	-21.8	266	-14.5	330	-8.1	394	-1.7	458	4.7
11	-100.0	75	-58.0	139	-34.4	203	-21.6	267	-14.4	331	-8.0	395	-1.6	459	4.8
12	-99.0	76	-57.5	140	-34.2	204	-21.4	268	-14.3	332	-7.9	396	-1.5	460	4.9
13	-98.0	77	-57.0	141	-34.0	205	-21.2	269	-14.2	333	-7.8	397	-1.4	461	5.0
14	-97.0	78	-56.5	142	-33.8	206	-21.0	270	-14.1	334	-7.7	398	-1.3	462	5.1
15	-96.0	79	-56.0	143	-33.6	207	-20.8	271	-14.0	335	-7.6	399	-1.2	463	5.2
16	-95.0	80	-55.5	144	-33.4	208	-20.6	272	-13.9	336	-7.5	400	-1.1	464	5.3
17	-94.0	81	-55.0	145	-33.2	209	-20.4	273	-13.8	337	-7.4	401	-1.0	465	5.4
18	-93.0	82	-54.5	146	-33.0	210	-20.2	274	-13.7	338	-7.3	402	-0.9	466	5.5
19	-92.0	83	-54.0	147	-32.8	211	-20.0	275	-13.6	339	-7.2	403	-0.8	467	5.6
20	-91.0	84	-53.5	148	-32.6	212	-19.9	276	-13.5	340	-7.1	404	-0.7	468	5.7
21	-90.0	85	-53.0	149	-32.4	213	-19.8	277	-13.4	341	-7.0	405	-0.6	469	5.8
22	-89.0	86	-52.5	150	-32.2	214	-19.7	278	-13.3	342	-6.9	406	-0.5	470	5.9
23	-88.0	87	-52.0	151	-32.0	215	-19.6	279	-13.2	343	-6.8	407	-0.4	471	6.0
24	-87.0	88	-51.5	152	-31.8	216	-19.5	280	-13.1	344	-6.7	408	-0.3	472	6.1
25	-86.0	89	-51.0	153	-31.6	217	-19.4	281	-13.0	345	-6.6	409	-0.2	473	6.2
26	-85.0	90	-50.5	154	-31.4	218	-19.3	282	-12.9	346	-6.5	410	-0.1	474	6.3
27	-84.0	91	-50.0	155	-31.2	219	-19.2	283	-12.8	347	-6.4	411	0.0	475	6.4
28	-83.0	92	-49.5	156	-31.0	220	-19.1	284	-12.7	348	-6.3	412	0.1	476	6.5
29	-82.0	93	-49.0	157	-30.8	221	-19.0	285	-12.6	349	-6.2	413	0.2	477	6.6
30	-81.0	94	-48.5	158	-30.6	222	-18.9	286	-12.5	350	-6.1	414	0.3	478	6.7
31	-80.0	95	-48.0	159	-30.4	223	-18.8	287	-12.4	351	-6.0	415	0.4	479	6.8
32	-79.5	96	-47.5	160	-30.2	224	-18.7	288	-12.3	352	-5.9	416	0.5	480	6.9
33	-79.0	97	-47.0	161	-30.0	225	-18.6	289	-12.2	353	-5.8	417	0.6	481	7.0
34	-78.5	98	-46.5	162	-29.8	226	-18.5	290	-12.1	354	-5.7	418	0.7	482	7.1
35	-78.0	99	-46.0	163	-29.6	227	-18.4	291	-12.0	355	-5.6	419	0.8	483	7.2
36	-77.5	100	-45.5	164	-29.4	228	-18.3	292	-11.9	356	-5.5	420	0.9	484	7.3
37	-77.0	101	-45.0	165	-29.2	229	-18.2	293	-11.8	357	-5.4	421	1.0	485	7.4
38	-76.5	102	-44.5	166	-29.0	230	-18.1	294	-11.7	358	-5.3	422	1.1	486	7.5
39	-76.0	103	-44.0	167	-28.8	231	-18.0	295	-11.6	359	-5.2	423	1.2	487	7.6
40	-75.5	104	-43.5	168	-28.6	232	-17.9	296	-11.5	360	-5.1	424	1.3	488	7.7
41	-75.0	105	-43.0	169	-28.4	233	-17.8	297	-11.4	361	-5.0	425	1.4	489	7.8
42	-74.5	106	-42.5	170	-28.2	234	-17.7	298	-11.3	362	-4.9	426	1.5	490	7.9
43	-74.0	107	-42.0	171	-28.0	235	-17.6	299	-11.2	363	-4.8	427	1.6	491	8.0
44	-73.5	108	-41.5	172	-27.8	236	-17.5	300	-11.1	364	-4.7	428	1.7	492	8.1
45	-73.0	109	-41.0	173	-27.6	237	-17.4	301	-11.0	365	-4.6	429	1.8	493	8.2
46	-72.5	110	-40.5	174	-27.4	238	-17.3	302	-10.9	366	-4.5	430	1.9	494	8.3
47	-72.0	111	-40.0	175	-27.2	239	-17.2	303	-10.8	367	-4.4	431	2.0	495	8.4
48	-71.5	112	-39.8	176	-27.0	240	-17.1	304	-10.7	368	-4.3	432	2.1	496	8.5
49	-71.0	113	-39.6	177	-26.8	241	-17.0	305	-10.6	369	-4.2	433	2.2	497	8.6
50	-70.5	114	-39.4	178	-26.6	242	-16.9	306	-10.5	370	-4.1	434	2.3	498	8.7
51	-70.0	115	-39.2	179	-26.4	243	-16.8	307	-10.4	371	-4.0	435	2.4	499	8.8
52	-69.5	116	-39.0	180	-26.2	244	-16.7	308	-10.3	372	-3.9	436	2.5	500	8.9
53	-69.0	117	-38.8	181	-26.0	245	-16.6	309	-10.2	373	-3.8	437	2.6	501	9.0
54	-68.5	118	-38.6	182	-25.8	246	-16.5	310	-10.1	374	-3.7	438	2.7	502	9.1
55	-68.0	119	-38.4	183	-25.6	247	-16.4	311	-10.0	375	-3.6	439	2.8	503	9.2
56	-67.5	120	-38.2	184	-25.4	248	-16.3	312	-9.9	376	-3.5	440	2.9	504	9.3
57	-67.0	121	-38.0	185	-25.2	249	-16.2	313	-9.8	377	-3.4	441	3.0	505	9.4
58	-66.5	122	-37.8	186	-25.0	250	-16.1	314	-9.7	378	-3.3	442	3.1	506	9.5
59	-66.0	123	-37.6	187	-24.8	251	-16.0	315	-9.6	379	-3.2	443	3.2	507	9.6
60	-65.5	124	-37.4	188	-24.6	252	-15.9	316	-9.5	380	-3.1	444	3.3	508	9.7
61	-65.0	125	-37.2	189	-24.4	253	-15.8	317	-9.4	381	-3.0	445	3.4	509	9.8
62	-64.5	126	-37.0	190	-24.2	254	-15.7	318	-9.3	382	-2.9	446	3.5	510	9.9
63	-64.0	127	-36.8	191	-24.0	255	-15.6	319	-9.2	383	-2.8	447	3.6	511	10.0

## 6.2 Frequency Table

value	Frequency [Hz]	Display	value	Frequency	Display	value	Frequency	Display	value	Frequency	Display	value	Frequency	Display	value	Frequency	Display
0	20	20.0 Hz	80	63	63.0 Hz	160	200	200 Hz	240	630	630 Hz	320	2000	2.00 kHz	400	6300	6.30 kHz
1	20.3	20.3 Hz	81	64	64.0 Hz	161	203	203 Hz	241	642	642 Hz	321	2030	2.03 kHz	401	6420	6.42 kHz
2	20.5	20.5 Hz	82	65	65.0 Hz	162	205	205 Hz	242	655	655 Hz	322	2050	2.05 kHz	402	6550	6.55 kHz
3	20.7	20.7 Hz	83	67	67.0 Hz	163	207	207 Hz	243	667	667 Hz	323	2080	2.08 kHz	403	6670	6.67 kHz
4	21	21.0 Hz	84	68	68.0 Hz	164	210	210 Hz	244	680	680 Hz	324	2100	2.10 kHz	404	6800	6.80 kHz
5	21.3	21.3 Hz	85	68.5	68.5 Hz	165	213	213 Hz	245	687	687 Hz	325	2140	2.14 kHz	405	6880	6.88 kHz
6	21.5	21.5 Hz	86	69	69.0 Hz	166	217	217 Hz	246	695	695 Hz	326	2170	2.17 kHz	406	6950	6.95 kHz
7	21.7	21.7 Hz	87	70	70.0 Hz	167	220	220 Hz	247	703	703 Hz	327	2200	2.20 kHz	407	7030	7.03 kHz
8	22	22.0 Hz	88	71	71.0 Hz	168	224	224 Hz	248	710	710 Hz	328	2240	2.24 kHz	408	7100	7.10 kHz
9	22.5	22.5 Hz	89	72	72.0 Hz	169	228	228 Hz	249	722	722 Hz	329	2280	2.28 kHz	409	7220	7.22 kHz
10	23	23.0 Hz	90	73	73.0 Hz	170	232	232 Hz	250	735	735 Hz	330	2320	2.32 kHz	410	7350	7.35 kHz
11	23.5	23.5 Hz	91	75	75.0 Hz	171	236	236 Hz	251	747	747 Hz	331	2360	2.36 kHz	411	7470	7.47 kHz
12	24	24.0 Hz	92	76	76.0 Hz	172	240	240 Hz	252	760	760 Hz	332	2400	2.40 kHz	412	7600	7.60 kHz
13	24.2	24.2 Hz	93	77	77.0 Hz	173	242	242 Hz	253	770	770 Hz	333	2430	2.43 kHz	413	7700	7.70 kHz
14	24.5	24.5 Hz	94	78	78.0 Hz	174	245	245 Hz	254	780	780 Hz	334	2450	2.45 kHz	414	7800	7.80 kHz
15	24.7	24.7 Hz	95	79	79.0 Hz	175	247	247 Hz	255	790	790 Hz	335	2470	2.47 kHz	415	7900	7.90 kHz
16	25	25.0 Hz	96	80	80.0 Hz	176	250	250 Hz	256	800	800 Hz	336	2500	2.50 kHz	416	8000	8.00 kHz
17	25.5	25.5 Hz	97	81	81.0 Hz	177	255	255 Hz	257	812	812 Hz	337	2550	2.55 kHz	417	8120	8.12 kHz
18	26	26.0 Hz	98	82	82.0 Hz	178	260	260 Hz	258	825	825 Hz	338	2600	2.60 kHz	418	8250	8.25 kHz
19	26.5	26.5 Hz	99	83	83.0 Hz	179	265	265 Hz	259	837	837 Hz	339	2650	2.65 kHz	419	8370	8.37 kHz
20	27	27.0 Hz	100	85	85.0 Hz	180	270	270 Hz	260	850	850 Hz	340	2700	2.70 kHz	420	8500	8.50 kHz
21	27.2	27.2 Hz	101	86	86.0 Hz	181	272	272 Hz	261	862	862 Hz	341	2730	2.73 kHz	421	8620	8.62 kHz
22	27.5	27.5 Hz	102	87	87.0 Hz	182	275	275 Hz	262	875	875 Hz	342	2750	2.75 kHz	422	8750	8.75 kHz
23	27.7	27.7 Hz	103	89	89.0 Hz	183	278	278 Hz	263	887	887 Hz	343	2770	2.77 kHz	423	8870	8.87 kHz
24	28	28.0 Hz	104	90	90.0 Hz	184	280	280 Hz	264	900	900 Hz	344	2800	2.80 kHz	424	9000	9.00 kHz
25	28.5	28.5 Hz	105	92	92.0 Hz	185	285	285 Hz	265	915	915 Hz	345	2850	2.85 kHz	425	9150	9.15 kHz
26	29	29.0 Hz	106	93	93.0 Hz	186	290	290 Hz	266	930	930 Hz	346	2900	2.90 kHz	426	9300	9.30 kHz
27	29.5	29.5 Hz	107	95	95.0 Hz	187	295	295 Hz	267	945	945 Hz	347	2950	2.95 kHz	427	9450	9.45 kHz
28	30	30.0 Hz	108	96	96.0 Hz	188	300	300 Hz	268	960	960 Hz	348	3000	3.00 kHz	428	9600	9.60 kHz
29	30.5	30.5 Hz	109	97	97.0 Hz	189	304	304 Hz	269	970	970 Hz	349	3040	3.04 kHz	429	9700	9.70 kHz
30	31	31.0 Hz	110	98	98.0 Hz	190	307	307 Hz	270	980	980 Hz	350	3070	3.07 kHz	430	9800	9.80 kHz
31	31.2	31.2 Hz	111	99	99.0 Hz	191	311	311 Hz	271	990	990 Hz	351	3110	3.11 kHz	431	9900	9.90 kHz
32	31.5	31.5 Hz	112	100	100 Hz	192	315	315 Hz	272	1000	1.00 kHz	352	3150	3.15 kHz	432	10000	10.0 kHz
33	32	32.0 Hz	113	101	101 Hz	193	321	321 Hz	273	1010	1.01 kHz	353	3210	3.21 kHz	433	10100	10.1 kHz
34	33	33.0 Hz	114	102	102 Hz	194	327	327 Hz	274	1020	1.02 kHz	354	3270	3.27 kHz	434	10300	10.3 kHz
35	33.5	33.5 Hz	115	103	103 Hz	195	333	333 Hz	275	1030	1.03 kHz	355	3340	3.34 kHz	435	10400	10.4 kHz
36	34	34.0 Hz	116	105	105 Hz	196	340	340 Hz	276	1050	1.05 kHz	356	3400	3.40 kHz	436	10500	10.5 kHz
37	34.5	34.5 Hz	117	106	106 Hz	197	344	344 Hz	277	1070	1.07 kHz	357	3440	3.44 kHz	437	10700	10.7 kHz
38	35	35.0 Hz	118	107	107 Hz	198	347	347 Hz	278	1080	1.08 kHz	358	3470	3.47 kHz	438	10900	10.9 kHz
39	35.5	35.5 Hz	119	108	108 Hz	199	351	351 Hz	279	1100	1.10 kHz	359	3510	3.51 kHz	439	11100	11.1 kHz
40	36	36.0 Hz	120	110	110 Hz	200	355	355 Hz	280	1120	1.12 kHz	360	3550	3.55 kHz	440	11200	11.2 kHz
41	36.5	36.5 Hz	121	112	112 Hz	201	361	361 Hz	281	1140	1.14 kHz	361	3610	3.61 kHz	441	11400	11.4 kHz
42	37	37.0 Hz	122	115	115 Hz	202	367	367 Hz	282	1160	1.16 kHz	362	3670	3.67 kHz	442	11600	11.6 kHz
43	37.5	37.5 Hz	123	118	118 Hz	203	374	374 Hz	283	1180	1.18 kHz	363	3750	3.75 kHz	443	11800	11.8 kHz
44	38	38.0 Hz	124	120	120 Hz	204	380	380 Hz	284	1200	1.20 kHz	364	3800	3.80 kHz	444	12000	12.0 kHz
45	38.5	38.5 Hz	125	121	121 Hz	205	385	385 Hz	285	1210	1.21 kHz	365	3850	3.85 kHz	445	12200	12.2 kHz
46	39	39.0 Hz	126	122	122 Hz	206	390	390 Hz	286	1220	1.22 kHz	366	3900	3.90 kHz	446	12300	12.3 kHz
47	39.5	39.5 Hz	127	123	123 Hz	207	395	395 Hz	287	1240	1.24 kHz	367	3950	3.95 kHz	447	12400	12.4 kHz
48	40	40.0 Hz	128	125	125 Hz	208	400	400 Hz	288	1250	1.25 kHz	368	4000	4.00 kHz	448	12500	12.5 kHz
49	40.5	40.5 Hz	129	127	127 Hz	209	408	408 Hz	289	1280	1.28 kHz	369	4070	4.07 kHz	449	12800	12.8 kHz
50	41	41.0 Hz	130	130	130 Hz	210	415	415 Hz	290	1300	1.30 kHz	370	4150	4.15 kHz	450	13000	13.0 kHz
51	42	42.0 Hz	131	133	133 Hz	211	422	422 Hz	291	1330	1.33 kHz	371	4220	4.22 kHz	451	13300	13.3 kHz
52	43	43.0 Hz	132	136	136 Hz	212	430	430 Hz	292	1360	1.36 kHz	372	4300	4.30 kHz	452	13600	13.6 kHz
53	43.5	43.5 Hz	133	137	137 Hz	213	435	435 Hz	293	1370	1.37 kHz	373	4350	4.35 kHz	453	13700	13.7 kHz
54	44	44.0 Hz	134	138	138 Hz	214	440	440 Hz	294	1380	1.38 kHz	374	4400	4.40 kHz	454	13800	13.8 kHz
55	44.5	44.5 Hz	135	139	139 Hz	215	445	445 Hz	295	1390	1.39 kHz	375	4450	4.45 kHz	455	13900	13.9 kHz
56	45	45.0 Hz	136	140	140 Hz	216	450	450 Hz	296	1400	1.40 kHz	376	4500	4.50 kHz	456	14000	14.0 kHz
57	45.5	45.5 Hz	137	143	143 Hz	217	457	457 Hz	297	1430	1.43 kHz	377	4570	4.57 kHz	457	14300	14.3 kHz
58	46	46.0 Hz	138	146	146 Hz	218	465	465 Hz	298	1460	1.46 kHz	378	4650	4.65 kHz	458	14600	14.6 kHz
59	47	47.0 Hz	139	149	149 Hz	219	472	472 Hz	299	1490	1.49 kHz	379	4730	4.73 kHz	459	14900	14.9 kHz
60	48	48.0 Hz	140	152	152 Hz	220	480	480 Hz	300	1520	1.52 kHz	380	4800	4.80 kHz	460	15200	15.2 kHz
61	48.5	48.5 Hz	141	154	154 Hz	221	485	485 Hz	301	1540	1.54 kHz	381	4850	4.85 kHz	461	15400	15.4 kHz
62	49	49.0 Hz	142	156	156 Hz	222	490	490 Hz	302	1560	1.56 kHz	382	4900	4.90 kHz	462	15600	15.6 kHz
63	49.5	49.5 Hz	143	158	158 Hz	223	495	495 Hz	303	1580	1.58 kHz	383	4950	4.95 kHz	463	15800	15.8 kHz
64	50	50.0 Hz	144	160	160 Hz	224	500	500 Hz	304	1600	1.60 kHz	384	5000	5.00 kHz	464	16000	16.0 kHz
65	50.5	50.5 Hz	145	162	162 Hz	225	507	507 Hz	305	1630	1.63 kHz	385	5080	5.08 kHz	465	16300	16.3 kHz
66	51	51.0 Hz	146	165	165 Hz	226	515	515 Hz	306	1650	1.65 kHz	386	5150	5.15 kHz	466	16500	16.5 kHz
67	52	52.0 Hz	147	167	167 Hz	227	522	522 Hz	307	1680	1.68 kHz	387	5220	5.22 kHz	467	16800	16.8 kHz
68	53	53.0 Hz	148	170	170 Hz	228	530	530 Hz	308	1700	1.70 kHz	388	5300	5.30 kHz	468	17000	17.0 kHz
69	53.5	53.5 Hz	149	172	172 Hz	229	538	538 Hz	309	1730	1.73 kHz	389	5380	5.38 kHz	469	17300	17.3 kHz
70	54	54.0 Hz	150	175	175 Hz	230	545	545 Hz	310	1750	1.75 kHz	390	5450	5.45 kHz	470	17500	17.5 kHz
71	55	55.0 Hz	151	177	177 Hz	231	552	552 Hz	311	1780	1.78 kHz	391	5530	5.53 kHz	471	17800	17.8 kHz
72	56	56.0 Hz	152	180	180 Hz	232	560	560 Hz	312	1800	1.80 kHz	392	5600	5.60 kHz	472	18000	18.0 kHz
73	57	57.0 Hz	153	183	183 Hz	233	570	570 Hz	313	1830	1.83 kHz	393	5700	5.70 kHz	473	18300	18.3 kHz
74	58	58.0 Hz	154	186	186 Hz	234	580	580 Hz	314	1860	1.86 kHz	394	5800	5.80 kHz	474	18600	18.6 kHz
75	59	59.0 Hz	155	189	189 Hz	235	590	590 Hz	315	1890	1.89 kHz	395	5900	5.90 kHz	475	18900	18.9 kHz</

### 6.3 Q Value Table

#	Quality
0	0.3
1	0.35
2	0.41
3	0.47
4	0.55
5	0.64
6	0.75
7	0.87
8	1
9	1.2
10	1.4
11	1.6
12	1.9
13	2.2
14	2.5
15	3
16	3.5
17	4
18	4.5
19	5
20	6
21	7
22	8.4
23	10
24	12
25	14
26	16
27	19
28	22
29	25
30	30
31	60

#### 6.4 EQ Gain Table

#	Gain	#	Gain	#	Gain
0	-18	25	-5.5	50	7
1	-17.5	26	-5	51	7.5
2	-17	27	-4.5	52	8
3	-16.5	28	-4	53	8.5
4	-16	29	-3.5	54	9
5	-15.5	30	-3	55	9.5
6	-15	31	-2.5	56	10
7	-14.5	32	-2	57	10.5
8	-14	33	-1.5	58	11
9	-13.5	34	-1	59	11.5
10	-13	35	-0.5	60	12
11	-12.5	36	0	61	12.5
12	-12	37	0.5	62	13
13	-11.5	38	1	63	13.5
14	-11	39	1.5	64	14
15	-10.5	40	2	65	14.5
16	-10	41	2.5	66	15
17	-9.5	42	3	67	15.5
18	-9	43	3.5	68	16
19	-8.5	44	4	69	16.5
20	-8	45	4.5	70	17
21	-7.5	46	5	71	17.5
22	-7	47	5.5	72	18
23	-6.5	48	6		
24	-6	49	6.5		

## 6.5 Input Gain Table

Value	Mic [dB]	Line [dB]	Aux [dB]	Value	Mic [dB]	Line [dB]	Aux [dB]
0	20	20	-30	21	41	41	-9
1	21	21	-29	22	42	42	-8
2	22	22	-28	23	43	43	-7
3	23	23	-27	24	44	44	-6
4	24	24	-26	25	45	45	-5
5	25	25	-25	26	46	46	-4
6	26	26	-24	27	47	47	-3
7	27	27	-23	28	48	48	-2
8	28	28	-22	29	49	49	-1
9	29	29	-21	30	50	50	0
10	30	30	-20	31	51	51	1
11	31	31	-19	32	52	52	2
12	32	32	-18	33	53	53	3
13	33	33	-17	34	54	54	4
14	34	34	-16	35	55	55	5
15	35	35	-15	36	56	56	6
16	36	36	-14	37	57	57	7
17	37	37	-13	38	58	58	8
18	38	38	-12	39	59	59	9
19	39	39	-11	40	60	60	10
20	40	40	-10				

## 6.6 Transfer data type

No	Item	Description	Type	Value	Value Description	Remarks
1	kind	Transfer data type	string	p1 to p8	Preset 1 to 6	
2				i1 to i20	4Band PEQ	Input (4Band PEQ)
3				iall	All 4Band PEQ	
4				o1 to o20	12Band PEQ	Output (12Band PEQ)
5				oall	All 12Band PEQ	
6				l1 to l2	Language file 1 to 2	
7				log	Log file	